

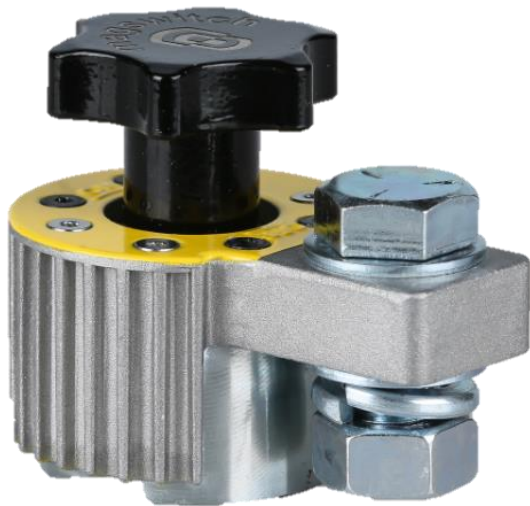


Magswitch Technology, Inc.
 1355 Horizon Avenue
 Lafayette, CO 80026
 Magswitch.com.au
 303-468-0662

Magswitch 300 Amp Finned Magnetic Ground Clamp

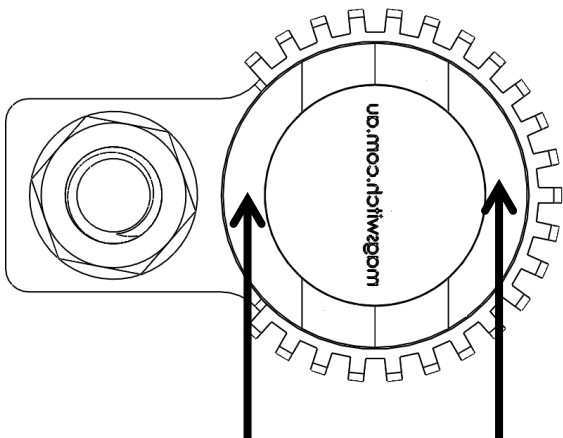
P/N: 8100746

The Magswitch finned magnetic ground clamps let welders quickly set up, weld and move on to the next job. Simply place it on a clean work surface, turn it on and start welding. Instant ground on a flat surface or a pipe. The finned design lowers the temperature of the unit by almost 27%.



WARNING!
Do Not Operate Unless In
Contact With Ferrous Target

SPECIFICATIONS	
P/N: 8100746 - MAGSWITCH 300 Amp Finned Magnetic Ground Clamp	
Magnet Strength	90 lbs/40 kg
Net Weight	0.8 lbs/0.4 kg
Overall Height	57.3 mm
Magnetic Pole Footprint	40mm Diameter



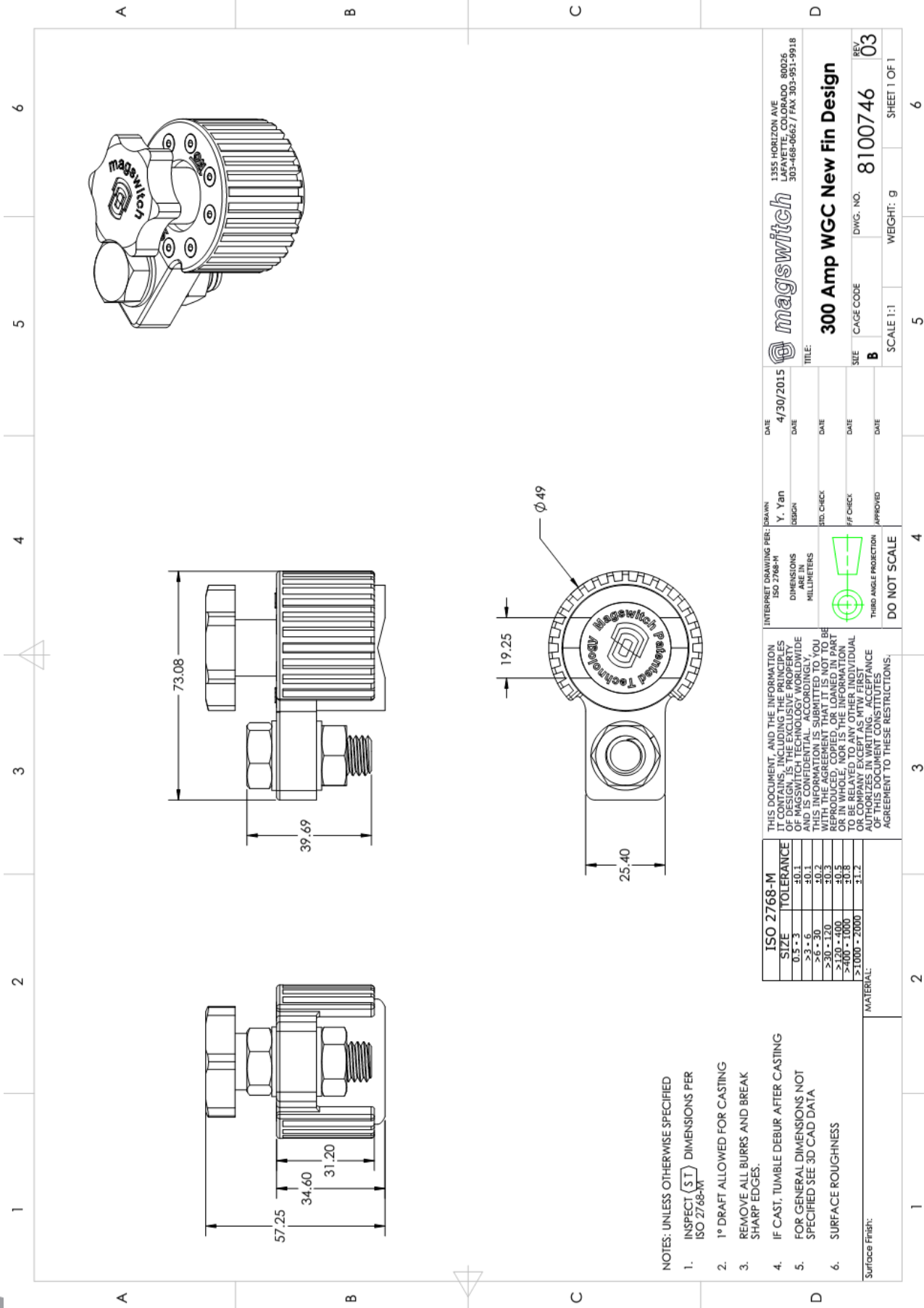
WORKING SURFACE

Part Number 1101142
 Revision Date: April 30 2015





Part Number 1101142
 Revision Date: April 30 2015



NOTES: UNLESS OTHERWISE SPECIFIED

1. INSPECT (ST) DIMENSIONS PER ISO 2768-M
2. 1° DRAFT ALLOWED FOR CASTING
3. REMOVE ALL BURRS AND BREAK SHARP EDGES.
4. IF CAST, TUMBLE DEBUR AFTER CASTING
5. FOR GENERAL DIMENSIONS NOT SPECIFIED SEE 3D CAD DATA
6. SURFACE ROUGHNESS

ISO 2768-M	TOLERANCE
0.5 - 3	+0.1
>3 - 6	+0.1
>6 - 30	+0.2
>30 - 120	+0.3
>120 - 400	+0.5
>400 - 1000	+0.8
>1000 - 2000	+1.2

THIS DOCUMENT, AND THE INFORMATION IT CONTAINS, INCLUDING THE PRINCIPLES OF DESIGN, IS THE EXCLUSIVE PROPERTY OF MAGSWITCH. IT IS NOT TO BE REPRODUCED, COPIED, EITHER WHOLLY OR IN PART, OR IN ANY MANNER, WITHOUT THE WRITTEN PERMISSION OF MAGSWITCH. THIS INFORMATION IS SUBMITTED TO YOU WITH THE AGREEMENT THAT IT IS NOT TO BE REPRODUCED, COPIED, EITHER WHOLLY OR IN PART, OR IN ANY MANNER, WITHOUT THE WRITTEN PERMISSION OF MAGSWITCH. THIS INFORMATION IS NOT TO BE RELAYED TO ANY OTHER INDIVIDUAL OR COMPANY EXCEPT AS MTW FIRST AUTHORIZED BY MAGSWITCH. THE USE OF THIS DOCUMENT CONSTITUTES AN AGREEMENT TO THESE RESTRICTIONS.

INTERPRET DRAWING PER: DRAWN Y. Yan
 DESIGN Y. Yan
 DIMENSIONS ARE IN MILLIMETERS
 ISO 2768-M
 DATE 4/30/2015
 THIRD ANGLE PROJECTION
 DO NOT SCALE

DATE 4/30/2015
 DRAWN Y. Yan
 DESIGN Y. Yan
 DIMENSIONS ARE IN MILLIMETERS
 ISO 2768-M
 DATE 4/30/2015
 THIRD ANGLE PROJECTION
 DO NOT SCALE

magswitch
 1355 HORIZON AVE
 LAFAYETTE, COLORADO 80026
 303-468-0662 / FAX 303-951-9918

TITLE:
300 Amp WGC New Fin Design

SEE B
 CAGE CODE DWG. NO. 8100746
 REV. 03
 SCALE 1:1
 WEIGHT: g
 SHEET 1 OF 1

MATERIAL:

Surface Finish: