

Pro Vertical Featherboard | P/N: 81101302

Summary

The Pro Vertical Featherboard is a table saw safety attachment which pushes the workpiece down against the table during feeding to prevent ride-up and kickback. Attach it to steel table saw fences between the low-friction guide faces and adjust the feathers vertically to compress the feathers against the workpiece. This is especially useful for thin material hold-down and ensuring consistent depth-of-cut when cutting grooves.

Features

- Compressible gaskets provide excellent grip when magnets are engaged.
- Anchors to table saw tables or fences to provide downward pressure on work pieces
- Reversible for functionality on either side of the work piece (or fence)
- Broadly compatible with different fence sizes
- Multiple tools interlock together if downward force is needed at multiple points.



WARNING!

Do Not Operate Unless In Contact With Ferrous Target

Specifications

Nominal Maximum Breakaway Force ¹	150 lbs	68 kg
Nominal Maximum Shear ¹	40 lbs	18 kg
Net Weight	1.4 lbs	.63 kg
Footprint (narrow dimension adjustable)	3.13" long x 1.95-2.72" wide	79.5mm long x 49.5-69mm wide
Vertical Adjustment Range (relative to bottom surface)	+1.45" -2.87"	+37mm -73mm

¹ Determined in laboratory environment on 2" thick SAE1018 Steel with surface roughness 63 micro inches with optimized pole shoes. Many factors contribute to the actual breakaway force and safe working load in each application. Consult a Magswitch Applications Engineer and test the Magswitch in each application before deployment.

Safety

- Items or body parts between the gripping surface of the magnet and ferromagnetic material are at risk of crushing and impact forces.
- Never exceed the maximum rated load of Magswitch tools. This may result in an unsafe or dangerous condition.
- DO NOT attempt to alter the device in any way. This will void the warranty and may result in an unsafe or dangerous condition.
- DO NOT attempt to disassemble the Magswitch magnet; there are no user serviceable parts inside.
- All Magswitch products are designed for normal worksite/jobsite conditions. Do not use underwater or in a hazardous environment unless specifically designed for that purpose.
- DO NOT use a Magswitch product if it is damaged or not working properly. Severe injury can occur if this device is not used properly and safely.
- Ensure Magswitch MagJigs are stored in the OFF position when not in contact with ferromagnetic materials.
- DO NOT turn the magnet ON unless it is in contact with ferromagnetic metal. Actuation off-target will generate a strong, static, projected magnetic field which can accelerate, draw-in, and trap ferromagnetic material and damage magnetic storage media.
- DO NOT expose standard Magswitch tools to temperatures above 176°Fahrenheit (80°Celsius). High temperatures will permanently degrade the magnet's effectiveness and may result in an unsafe condition.
- Always keep the bottom of the magnet clean and free of debris and rust. If needed, wipe with WD40 or light oil. The bottom surface of the magnet must be flat, smooth, and in contact with steel to hold properly.
- Thicker steels will be held more strongly than thinner sheet. Steels with high alloy and carbon content will not be held as strongly.



WARNING: This product can expose you to chemicals including nickel and tetrafluoroethylene, which are known to the State of California to cause cancer. For more information, go to www.P65Warnings.ca.gov



WARNING: This product can expose you to chemicals including toluene, which are known to the State of California to cause birth defects or other reproductive harm. For more information, go to www.P65Warnings.ca.gov



WARNING: Drilling, sawing, sanding or machining wood products can expose you to wood dust, a substance known to the State of California to cause cancer. Avoid inhaling wood dust or use a dust mask or other safeguards for personal protection. For more information go to www.P65Warnings.ca.gov/wood.

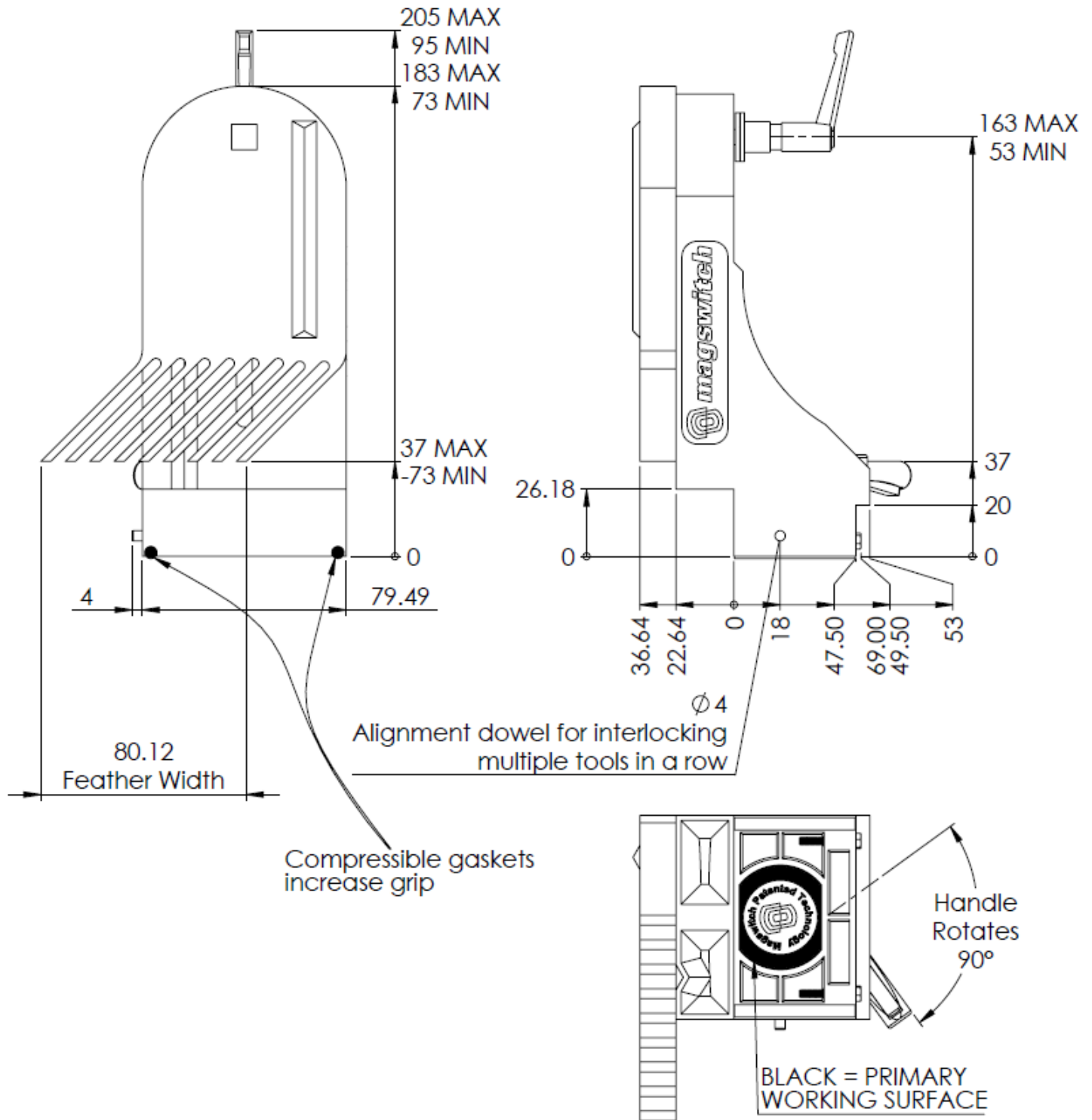
Warranty

Magswitch Limited Warranty

Magswitch products are covered by a one year limited warranty on material and workmanship. Warranty is non-transferable. Magswitch reserves the right to inspect all product claims under warranty. Any alteration of the device voids this warranty. User assumes all risk for the proper use of this device and for ensuring product suitability for intended application. This warranty shall not cover any incidental or consequential damages due to the improper use or failure of this device. All Magswitch products are covered under International and U.S. Patents 6,707,360 & 7,012,495. Add'l patents pending.

All Magswitch products are covered under International Patents. Australian Patents: 753496, 2006294433, Canadian Patents: 2,392,772, 2,458,251, Chinese Patent: 254155, European Patent: 1243006, Indian Patent: 219575, Korean(South) Patent: 10-0728448, Mexican Patent: 236,352, New Zealand Patent: 518865, Singapore Patents: 88931; 103413, South Africa Patents: 2002/3752; 2004/1785, US Patents: 6,707,360; 7,012,495. Additional Patents and Patent Applications Pending in Hong Kong, South Korea, China, Spain, Brazil, China, Japan. Trade Mark Registered in: European Union, Germany, Brazil, China

Product Dimensions



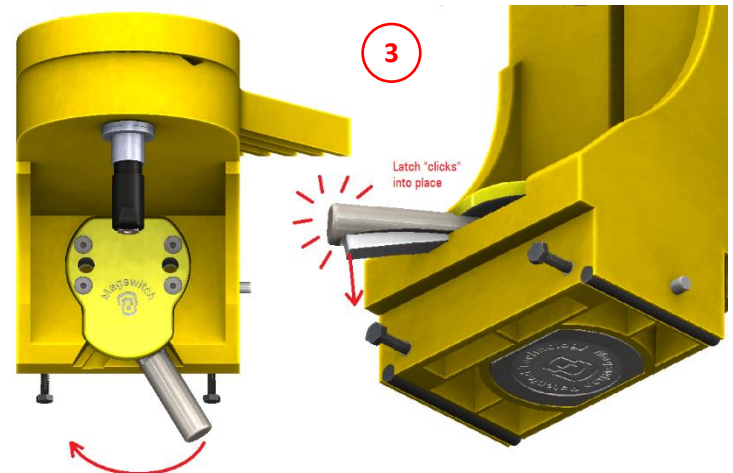
Getting Started

1. Position Vertical Featherboard on fence preceding table saw blade. One side of the base should contact the back side of the fence wear surface.
2. Thread/unthread the screws in the base of the vertical featherboard so they contact back side of the opposite fence wear surface.

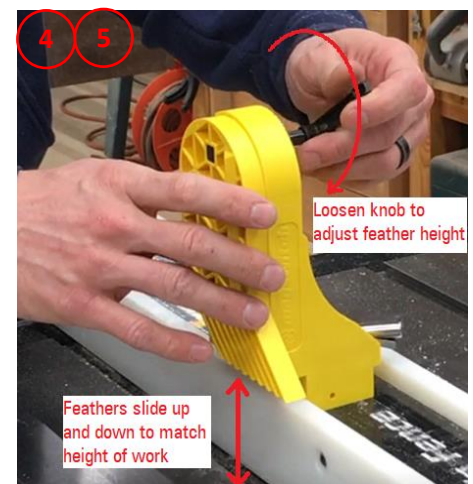
WARNING: The base of the featherboard should not be free to twist when inserted in the gap between fence surfaces.



3. With the featherboard in position, rotate the handle of the magnet clockwise 90° until the latch "clicks" into place.



4. Loosen the black knob by rotating it counterclockwise.
5. Lower the sliding feathers down to the table of the saw. The feathers should compress at least 1/4" or 6mm when the part passes underneath. Avoid compressing the feathers more than 1/2" or 12mm or the feathers may be damaged.
6. Tighten the black knob by rotating it clockwise to hold the sliding feathers in place relative to the fence.
7. To remove the featherboard from the fence, press the latch on the rotating handle and rotate the handle counterclockwise until the magnet is disengaged. **DO NOT tamper with the latch; it is a safety feature intended to keep the magnet engaged in the event of kickback.**



EU Declaration of Conformity**We, Magswitch Technology**

Magswitch Technology World Wide Pty. Ltd.

Registered Office: C/- Shop 2B, 14 Short Street, Port Macquarie NSW 2444 Australia

Declare with sole responsibility that the machinery

Pro Vertical Featherboard, Pro Universal Featherboard, or other tool designations containing the "pro featherboard" description and any accessories for these designations covered by these directives

Fulfils the relevant provisions of the following Union harmonisation legislation/directives:

- 2006/42/EC Machinery Directive
- 2011/65/EU Restriction of Hazardous Substances Directive (RoHS 2)
- 2015/863 Restriction of Hazardous Substances Directive III (RoHS 3)

Conformity is shown by compliance with the applicable requirements of the following documents:

Ref:	Title	Date
ISO 12100	Safety of machinery - General principles for design - Risk assessment and risk reduction	2010

The Technical Construction File is maintained at:

Magswitch Technology, Inc.

1355 Horizon Ave, Lafayette CO 80026

ph. 303.468.0662 fax 303.951.9918

The authorised representative located within the Community is:

Cengiz Kizilkan

President Automation Sales

Magswitch Technology Europe

Marie-Curie-Str. 2

D-85055 Ingolstadt, Germany

Date of issue: 11/15/2019**Place of issue:** Lafayette, Colorado, United States of America

David C. Long, Magswitch Engineering