

# QUICKLOX TOOL AND HOSE COMBO KIT | P/N: 81101558

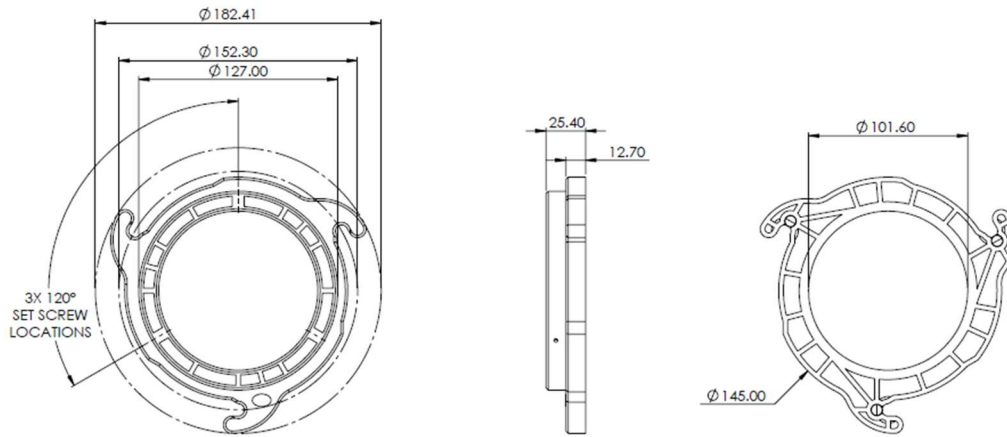
## Summary

The QuickLox Starter Kit comes with 1 Hose Plate & 1 Tool Plate -- good for connecting a dust hose to one tool. Hose Plates mount onto 4-inch diameter dust hoses, Tool Plates mount onto tools with 4-inch diameter dust ports.

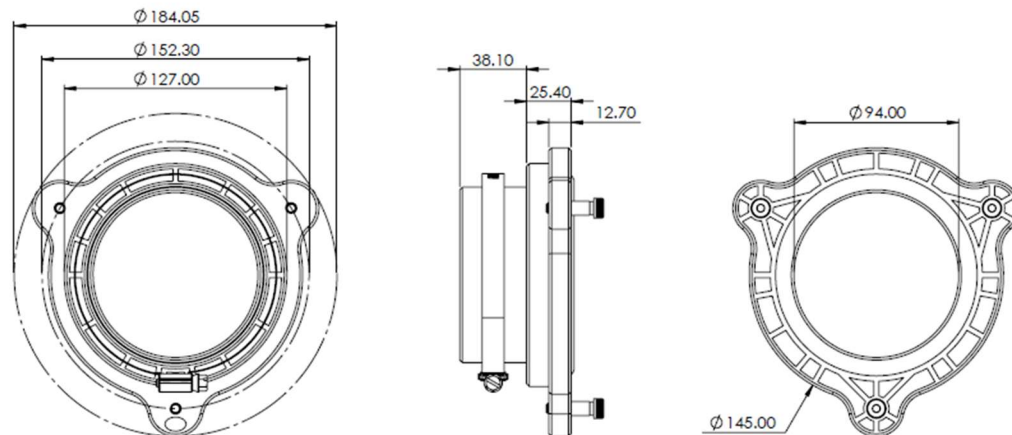
### Other Quicklox products available:

Quicklox Dust Bag Kit	81101563
Quicklox Tool Plate	81101564
Quicklox Hose Plate	81101565

### Tool Plate:



### Hose Plate:



## User Instructions

Adjust shoulder bolts on the hose plate so that the hose plate and tool plate fit together snugly but are not difficult to connect and disconnect.



Fit your 4" dust collection hose through the hose clamp. Put hose plate PVC inside of your 4" dust collection hose.



Tighten the hose clamp on the dust collection hose to lock it to the hose plate PVC.



Slip the tool plate over the port on the machine you will collect dust from as far as it will go without interfering with the quicklox connection.



Tighten down the 3 set screws to lock it in place.



Now you are ready to use the hose plate and tool plate to connect your dust collection hose to your machine.

