

QUICKLOX DUST BAG KIT | P/N: 81101563

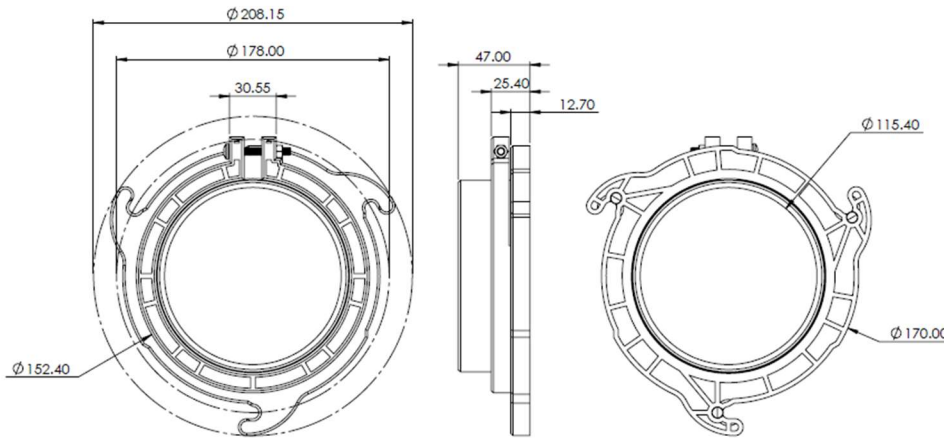
Summary

The QuickLox Starter Kit comes with 1 Hose Plate & 1 Tool Plate -- good for connecting a dust hose to one tool. Hose Plates mount onto 4-inch diameter dust hoses, Tool Plates mount onto tools with 4-inch diameter dust ports.

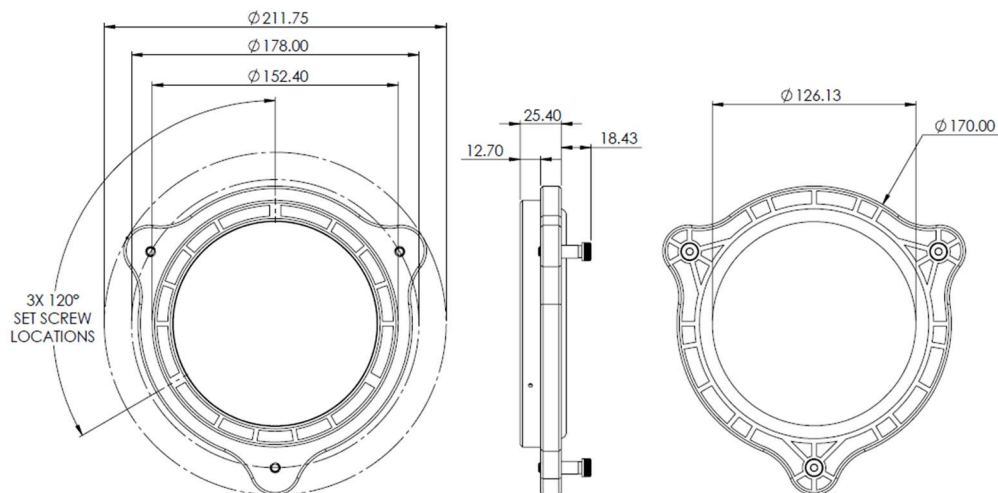
Other Quicklox products available:

Quicklox Tool and Hose Combo Kit	81101558
Quicklox Tool Plate	81101564
Quicklox Hose Plate	81101565

Bag Plate:



Collector Plate:



User Instructions

Slip collector plate (the side with shoulder bolts) onto the discharge of the dust collector and tighten set screws.



Seal gaps with silicon (not included).



Fit seal over silicon in gap between the discharge port and collector plate.



Put pvc ring from the bag plate into the dust bag input sleeve.



Put the outer dust plate ring over the bag sleeve and inner PVC (bag sleeve is pressed between the PVC on the inside and outer bag plate on the outside).



Tighten the screw on the bag plate to lock the complete bag plate and bag together.

You are now ready to connect and disconnect your bag and dust plate using the Quicklox connection.