

AR110 SH | P/N: 81401737

Summary

The Magswitch AR110 is our highest capacity single actuation magnet ideal for the heaviest demand projects. The single sided part holding and compact profile is ideal for bin picking applications and development of a compact end of arm tool design. The AR110 has the deepest magnetic field for air gap penetration on scaly, rough, and forged parts. Magswitch “AR” series is exclusively designed for use with pole shoes. Each Magswitch AR110 unit comes standard with one set of dual-purpose pole shoes for flat or pipe/round stock. Simply flip the pole shoes around so the V shape is exposed for use on pipe and other rounds. Customization of pole shoes is available to obtain optimum performance and holding force for each unique application.



WARNING!

Do Not Operate Unless In Contact With Ferrous Target

Specifications

Nominal Maximum Breakaway Force ^{1,2,4}	12795 N	
Nominal Maximum Shear Force ^{1,2,4}	3344 N	
Minimum De-Stack Thickness	1.5 in	38.1 mm
Net Weight (with pole shoes)	68.34 lbs	31 kg
Minimum Actuation Pressure	28 psi	1.9x10 ⁵ pa
Maximum Actuation Pressure	70 psi	4.8x10 ⁵ pa
Air Port Thread	G1/4	
Maximum Application Temperature	150°C / 302°F	
Magnetic Pole Footprint (with pole shoes)	7.5x4.5 in	190x114 mm

Material Thickness	3	4	5	6	7	10	12.7	19.5	25.4	38.1	50.8
	- mm (in)	(0.118)	(0.157)	(0.197)	(0.236)	(0.276)	(0.394)	(0.5)	(0.768)	(1.000)	(1.500)
Maximum Force ⁴	1839	2803	3481	4255	4858	9797	11738	11800	12369	12667	12795
- Newton (N)											

¹ Determined in laboratory environment on 2” thick SAE1018 Steel with surface roughness 63 micro inches with optimized pole shoes. Many factors contribute to the actual breakaway force and safe working load in each application. Consult a Magswitch Applications Engineer and test the Magswitch in each application before deployment.

² All data applies to unit with flat pole shoes installed.

³ Values may vary by +/- 5%.

⁴ Maximum forces listed above are not safe lifting forces. Designer must take into account safety factor when specifying tool. Magswitch recommends SWL = 5:1 for most applications.



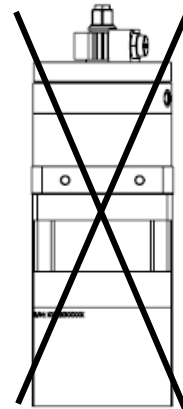
Pole shoes are required for operation and are included in the package

Standard Kits Available:

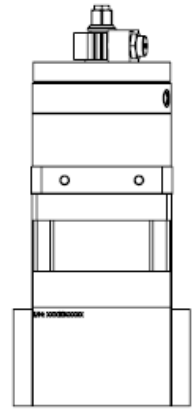
PSK, AR110, FLAT POLE SHOES, SH	88002134
---------------------------------	----------

WARNING!

Do Not Operate Unless In Contact With Ferrous Target

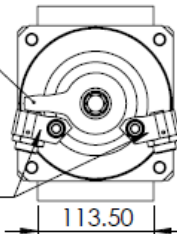


NO POLE SHOES

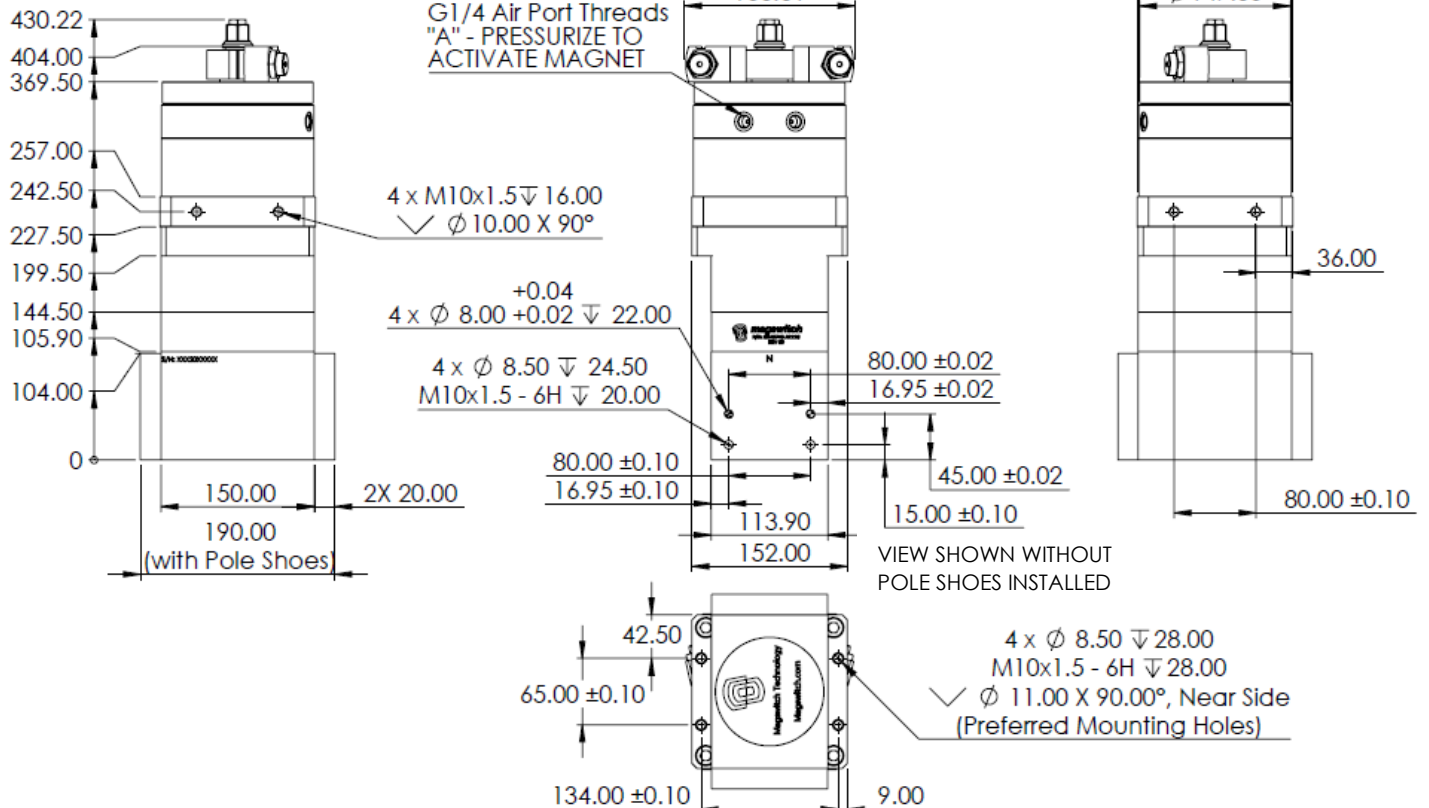


POLE SHOES ATTACHED

Shown in OFF State

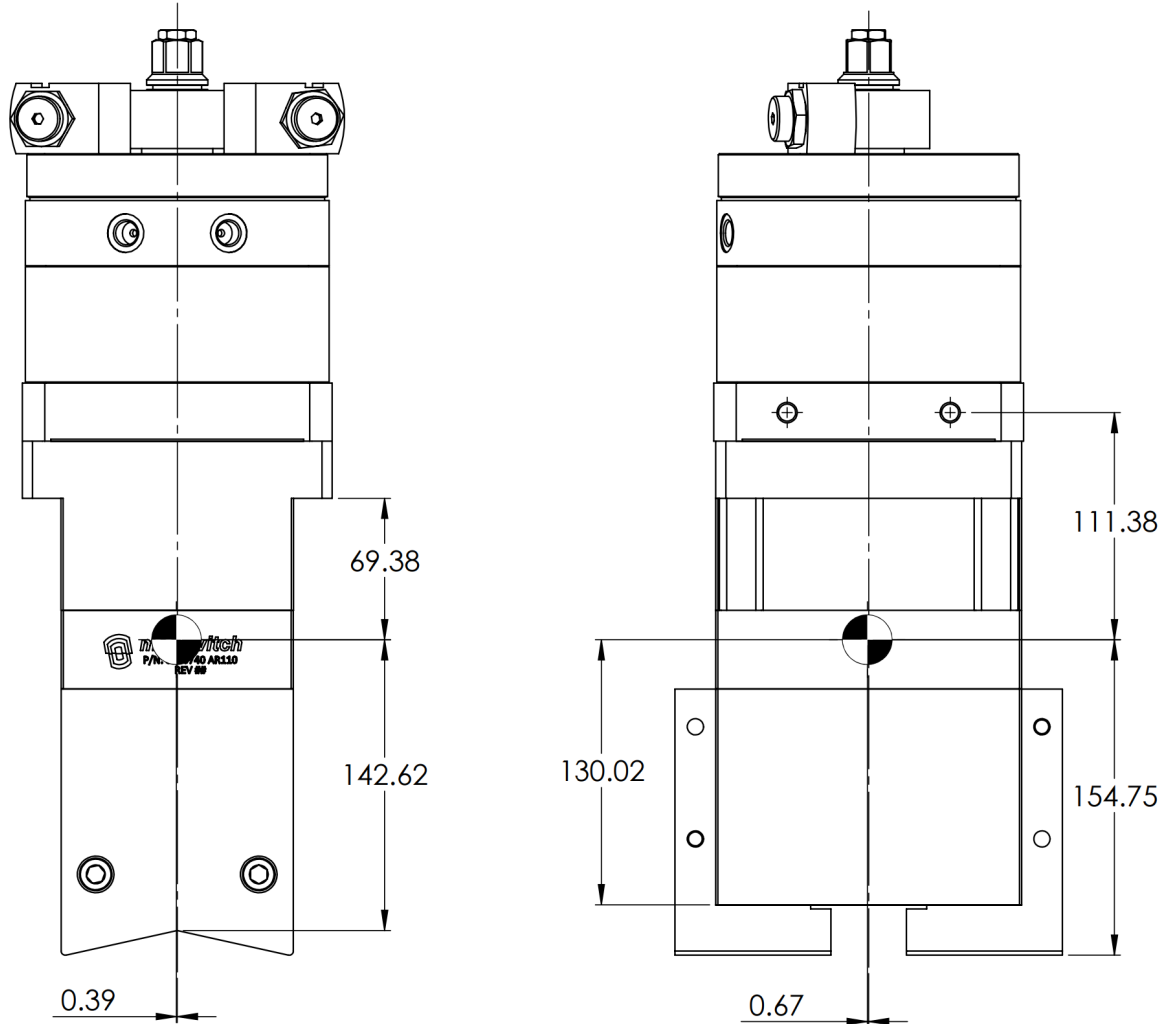


Hard Stops set at Factory, DO NOT adjust.



DIMENSIONS ARE IN MILLIMETERS (MM)

Center of Gravity (COG)



DIMENSIONS ARE IN MILLIMETERS (MM)