

PLAY 70X3 | P/N 8140544

Magswitch LAY series utilizes field interaction between individual magnets to increase depth of field and spread the attractive force over a larger footprint. This allows for greater working loads and increased control over larger work pieces. With customizable pole shoes to fit almost any application, the LAY is a great all around tool that is perfect for picking pipe and round as well as large plate steel.

WARNING!
Do Not Operate Unless In Contact With Ferrous Target

Specifications

Nominal Maximum Breakaway Force ^{1,2}	12189 N	
Nominal Maximum Shear Force ^{1,2}	2648 N	
Thickness for De-Stack ³	0.500 in	12.7 mm
Minimum Actuation Pressure	41 psi	2.8 Bar
Maximum Actuation Pressure	145 psi	10 Bar
Air Port Threads	Rc 1/4	
Net Weight	44.8 lbs	20.3 kg
Individual Magnetic Pole Footprint	10in x 3.84in	255mm x 97.6mm
Mounting Options	M8x1.25	



Material Thickness - mm (in)	1.50 (0.059)	1.90 (0.075)	2.70 (0.106)	3.00 (0.118)	3.50 (0.138)	4.76 (0.187)	6.35 (0.250)	9.53 (0.375)	12.70 (0.500)	19.05 (0.750)	25.40 (1.000)
Maximum Force ^{1, 2, 5} - Newton (N)	1142	1580	2325	2586	3213	5048	7048	9965	11034	11908	12189

¹ Determined in laboratory environment on 2" thick SAE1018 Steel with surface roughness 63 micro inches with optimized pole shoes. Many factors contribute to the actual breakaway force and safe working load in each application. Consult a Magswitch Applications Engineer and test the Magswitch in each application before deployment.

² All data applies to unit with flat pole shoes installed.

³ Determined with SAE1018 Steel L=200mm W=200mm.

⁴ Values may vary by +/- 5%.

⁵ Maximum forces listed above are not safe lifting forces. Designer must take into account safety factor when specifying tool. Magswitch recommends SWL = 5:1 for most applications.

$$SWL \text{ (Safe Working Load)} = \frac{\text{Maximum Force}^5}{\text{Safety Factor} (\geq 5)}$$



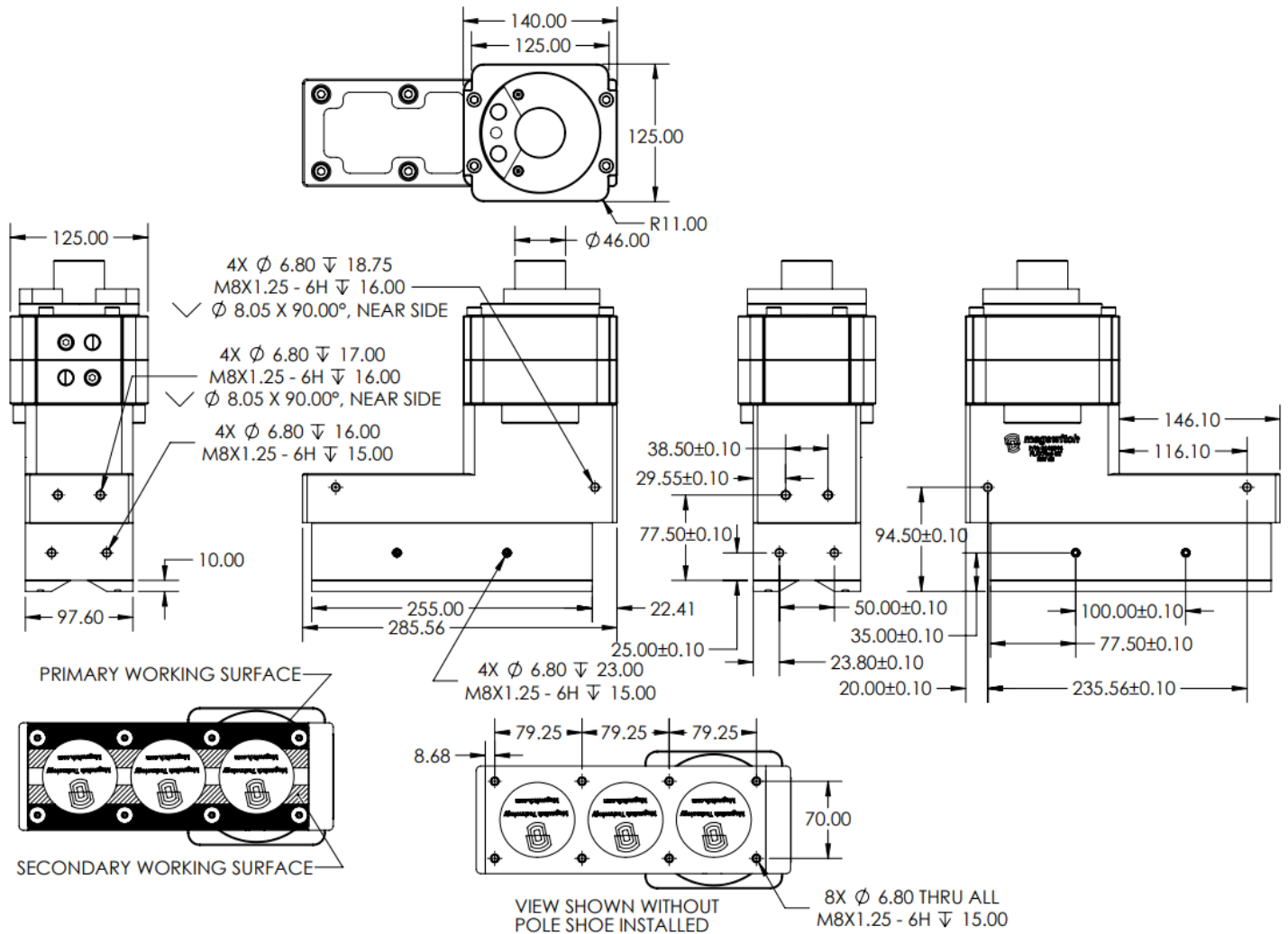
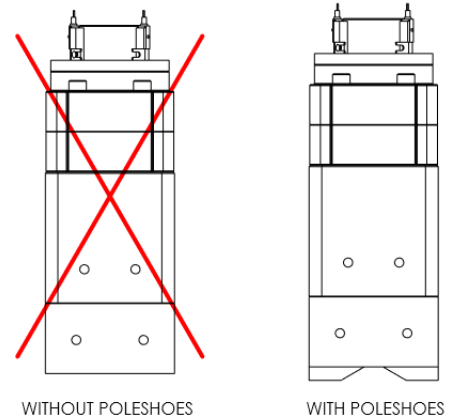
MAGSWITCH PLAY 70X3

P/N: 8140544
 + 1(303) 468.0662
 magswitch.com

Pole shoes required for operation

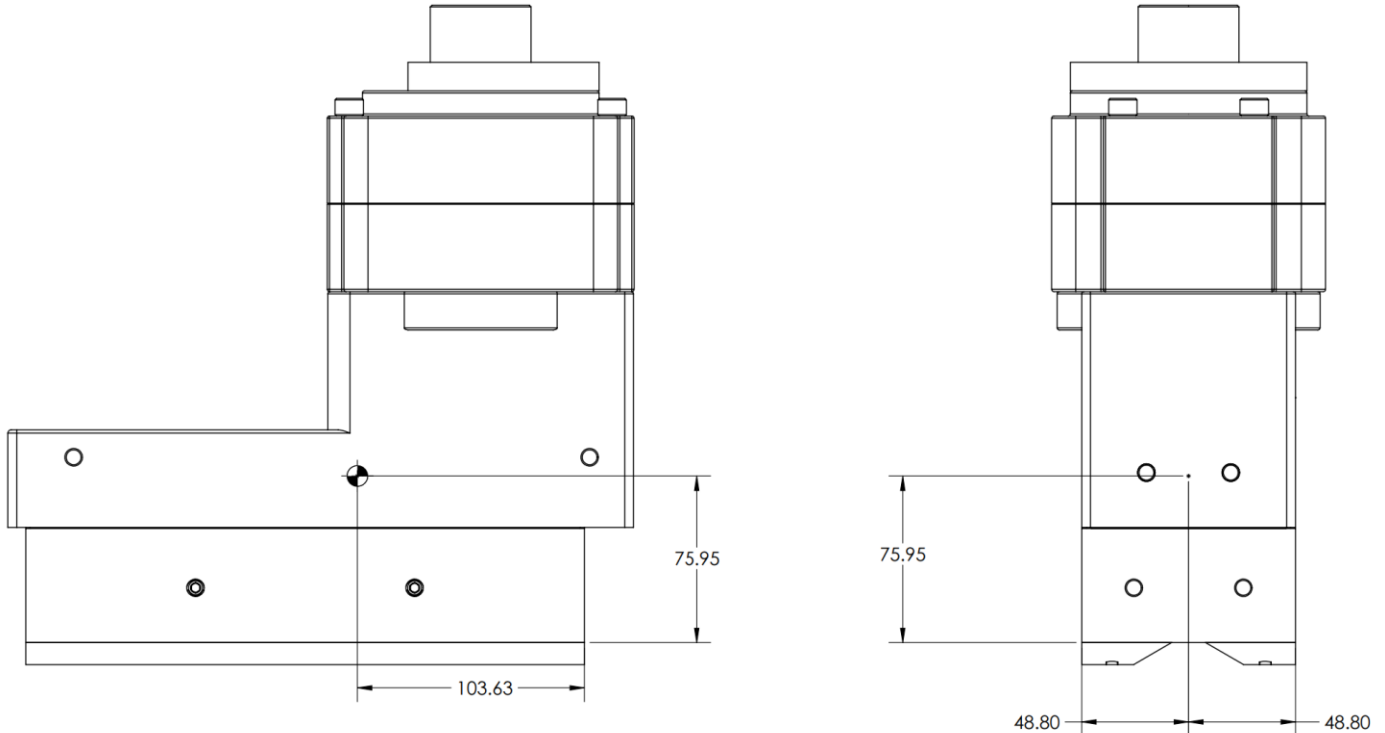
Standard Kits Available:

PLAY70X3 Standard Pole Shoe Kit	8800310 (included)
PLAY70X3 Prox Cap Kit	8800294



DIMENSIONS ARE IN MILLIMETERS (MM)

Center of Gravity (COG)



DIMENSIONS ARE IN MILLIMETERS (MM)