

PLAY 70X4 | P/N 8140417

Magswitch LAY series utilizes field interaction between individual magnets to increase depth of field and spread the attractive force over a larger footprint. This allows for greater working loads and increased control over larger work pieces. With customizable pole shoes to fit almost any application, the LAY is a great all around tool that is perfect for picking pipe and round as well as large plate steel.

WARNING!
Do Not Operate Unless In Contact With Ferrous Target

Specifications

| | | |
|---|--------------|----------------|
| Nominal Maximum Breakaway Force ^{1,2} | 16217.3 | N |
| Nominal Maximum Shear Force ^{1,2} | 3118.6 | N |
| Thickness for De-Stack3 | 0.500 in | 12.7 mm |
| Minimum Actuation Pressure | 41.00 psi | 2.8 Bar |
| Maximum Actuation Pressure | 145 psi | 10 Bar |
| Air Port Threads | Rc 1/4 | |
| Net Weight | 49.4 lb | 22.4 Kg |
| Individual Magnetic Pole Footprint | 13.23"x3.85" | 336mm x 97.6mm |
| Mounting Options | M8x1.25 | |



| Material Thickness - mm (in) | 2.70 (0.106) | 3.00 (0.118) | 3.50 (0.138) | 4.76 (0.187) | 6.35 (0.250) | 9.53 (0.375) | 12.70 (0.500) | 19.05 (0.750) | 25.40 (1.000) |
|--|-----------------|-----------------|-----------------|-----------------|-----------------|-----------------|------------------|------------------|------------------|
| Maximum Force ^{1,2,5} - N | 3298.12 | 3481.57 | 3875.93 | 5551.48 | 8010.85 | 10926.38 | 14901.39 | 15911.82 | 16222.80 |

¹ Determined in laboratory environment on 2" thick SAE1018 Steel with surface roughness 63 micro inches with optimized pole shoes. Many factors contribute to the actual breakaway force and safe working load in each application. Consult a Magswitch Applications Engineer and test the Magswitch in each application before deployment.

² All data applies to unit with flat pole shoes installed.

³ Determined with SAE1018 Steel L=200mm W=200mm.

⁴ Values may vary by +/- 5%.

⁵ Maximum forces listed above are not safe lifting forces. Designer must take into account safety factor when specifying tool. Magswitch recommends SWL = 5:1 for most applications.

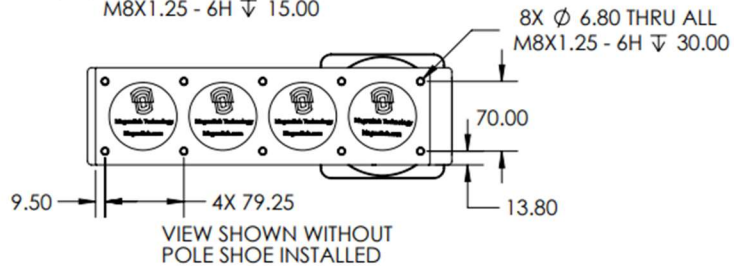
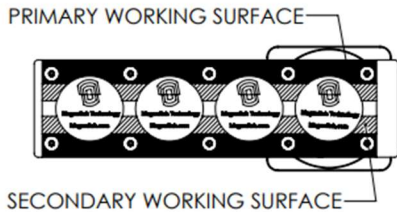
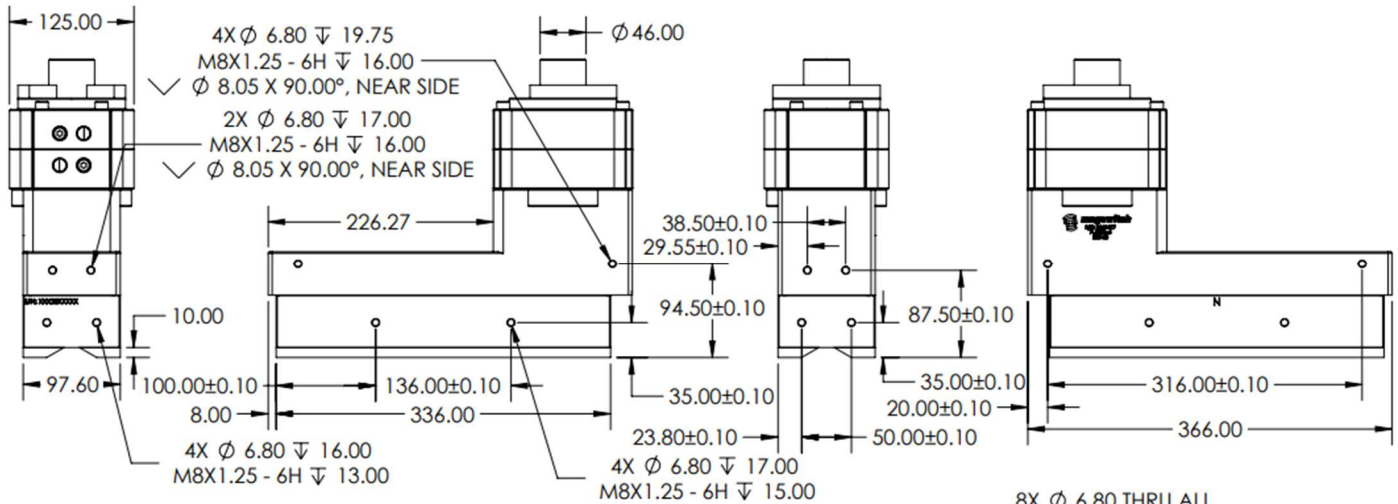
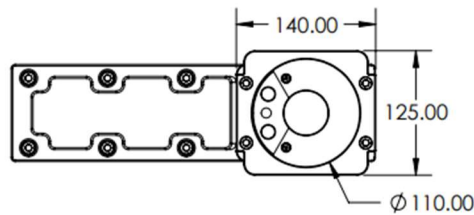
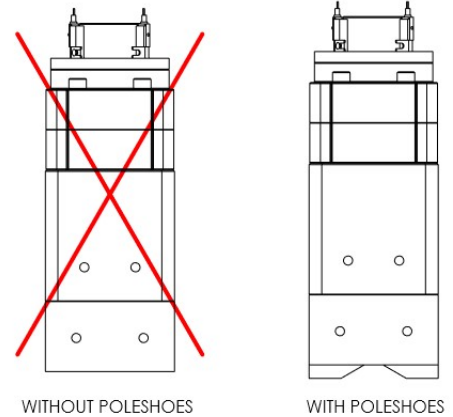
⁶ The weight includes 8800311 pole shoes as shipped.

$$SWL \text{ (Safe Working Load)} = \frac{\text{Maximum Force}^5}{\text{Safety Factor} (\geq 5)}$$

Pole shoes required for operation

Standard Kits Available:

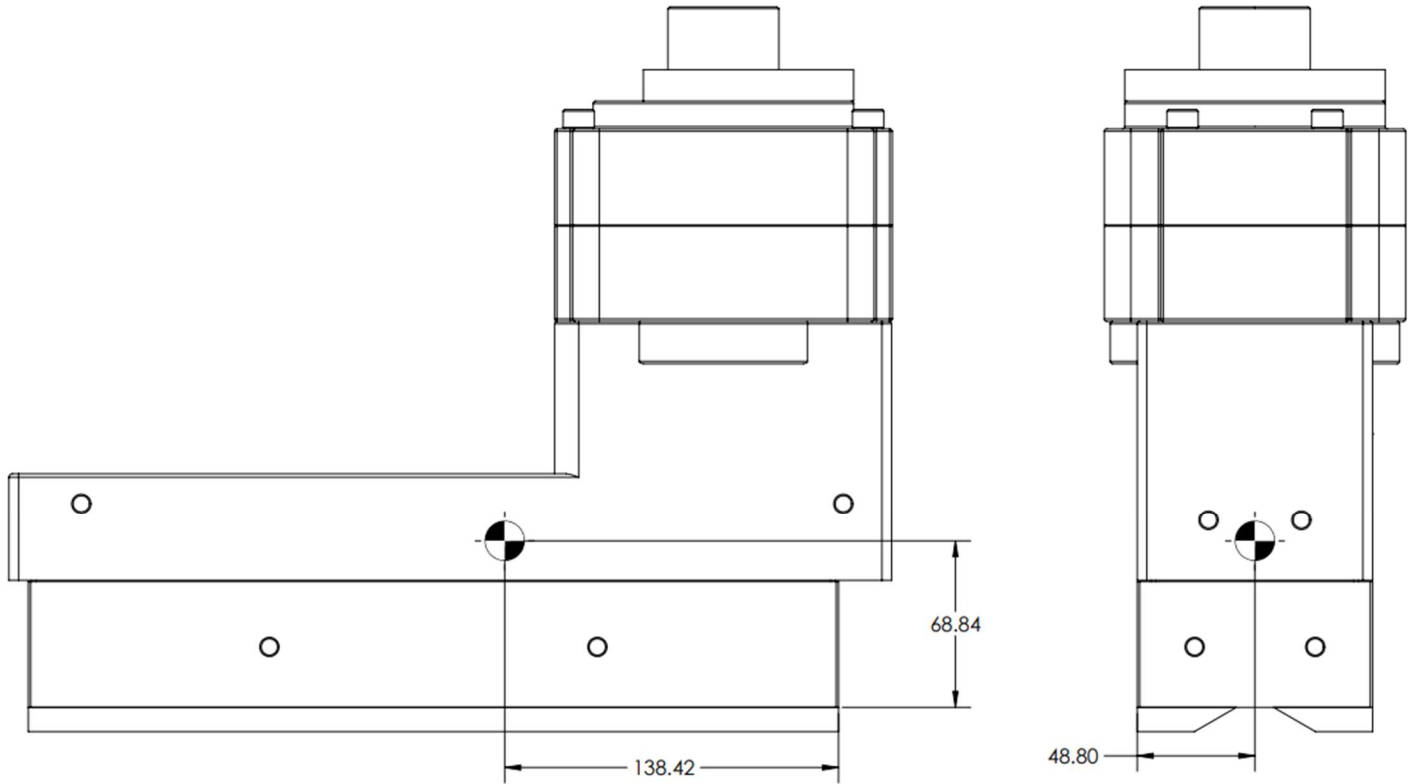
| | |
|---------------------------------|--------------------|
| PLAY70X4 Standard Pole Shoe Kit | 8800311 (included) |
| PLAY70X4 Prox Cap Kit | 8800294 |





MAGSWITCH PLAY 70X4
P/N: 8140417
+ 1(303) 468.0662
magswitch.com

Center of Gravity (COG)



DIMENSIONS ARE IN MILLIMETERS (MM)