



Magswitch Technology, Inc.
1355 Horizon Ave
Lafayette, CO 80026
Magswitch.com.au
303-468-0662

Magswitch AR50 Classic

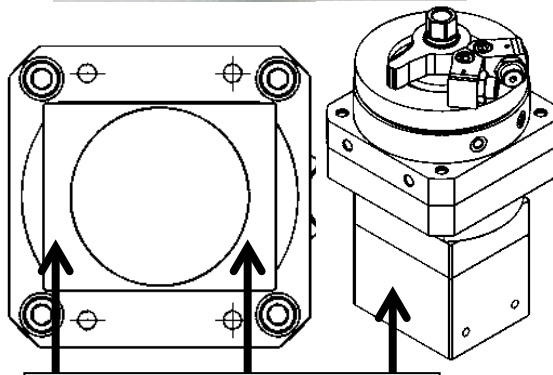
P/N: 8140319

Magswitch “AR” series is explicitly designed for use with pole shoes. Pole shoes must be attached to the unit in order to maximize breakaway force and minimize residual magnetism. Each Magswitch “AR” unit comes equipped with one set of dual purpose pole shoes for flat or pipe/round stock. Simply flip the pole shoes around so the V shape is exposed for use on pipe and other rounds. The “AR” series allows complete customization of pole shapes to provide the best hold on your hard to grip parts.

Note: You may have to design and fabricate custom pole shoes depending on your application for optimal performance.



WARNING!
**Do Not Operate Unless In
Contact With Ferrous Target**



WORKING SURFACE

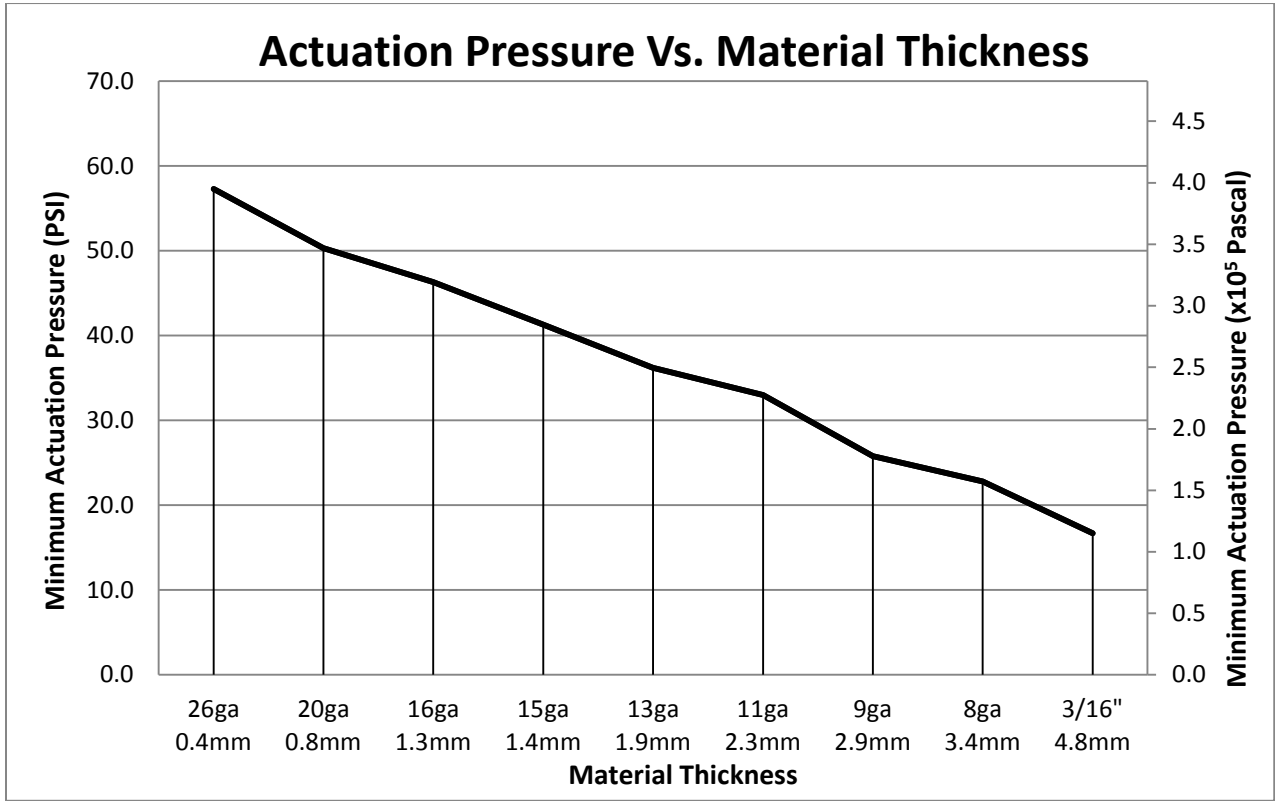
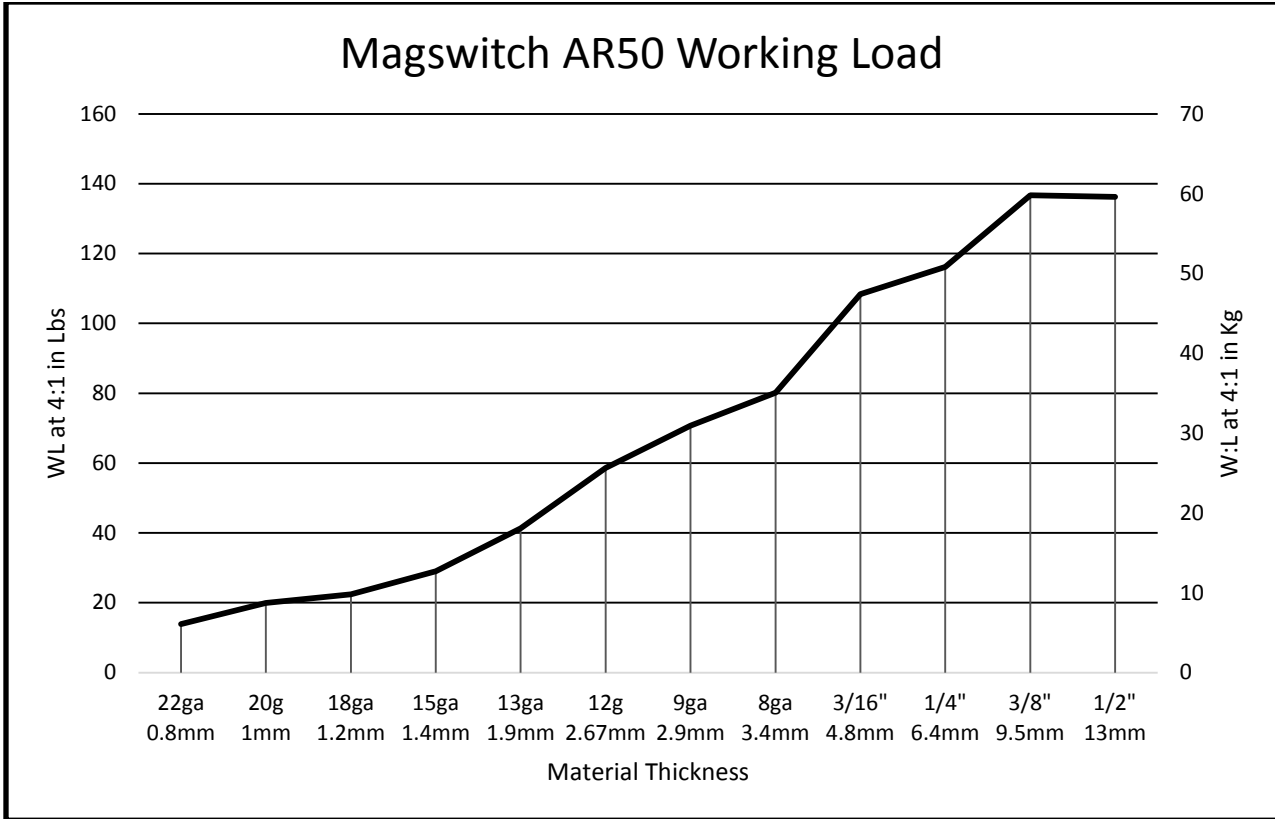
SPECIFICATIONS

P/N: 8140319 - MAGSWITCH AR50 Classic

Max Breakaway*	548 lbs/248.6 kg
Safe Working Load*	137 lbs/62.1 kg
Full Saturation Thickness	3/8" / 9.5 mm
Max Safe Shear*	68 lbs/30.8 kg
Minimum Thickness for De-Stack	3/8" / 9.5 mm
Min Actuation Pressure	25psi / 1.7x10 ⁵ pa
Max Actuation Pressure	145 psi / 1x10 ⁶ pa
Net Weight	4.4 lbs / 2.0 kg
Air Port Thread	M5x0.8
Mounting Thread	M6x1.0
Overall Height	166.5 mm
Magnetic Pole Footprint	64x51.75 mm

Part Number 110632
Revision Date: 11/11/2014

* Max Breakaway determined in laboratory environment on 2" thick SAE1018 Steel with surface roughness 63 micro inches. Many factors contribute to the actual breakaway force in each application. Always test the magswitch in each application before deployment. Refer to the magswitch information booklet for more information.



Part Number 110632
 Revision Date: 11/11/2014

* Max Breakaway determined in laboratory environment on 2" thick SAE1018 Steel with surface roughness 63 micro inches. Many factors contribute to the actual breakaway force in each application. Always test the magswitch in each application before deployment. Refer to the magswitch information booklet for more information.

