

## D5/D12 28.5MM BALL MOUNT KIT | P/N: 88001562

Our 28.5mm ball mount kit is the perfect accessory to gain the highest flexibility in mounting our D5/D12 Magswitch tools on an EOAT. Giving the ability of selecting one of the three possible mounting pattern for this 28.5mm ball mount kit on our D5/D12 in combination of rotational adjustment will insure the ideal placement of the D5/D12 on the target surface. The weight optimized design also contributes to achieve best weight to hold force ratio.

### Specifications

Net Weight	0.11 lb	0.05 kg
Mounting Options	Ø3-M4-Ø3-M4	

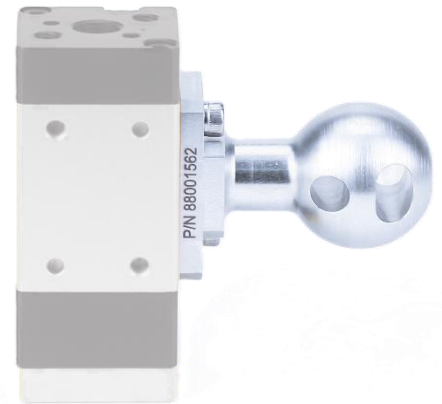
#### What's Inside the Kit:

(1x) 28.5mm Ball Mount with two Pre-Installed Dowels

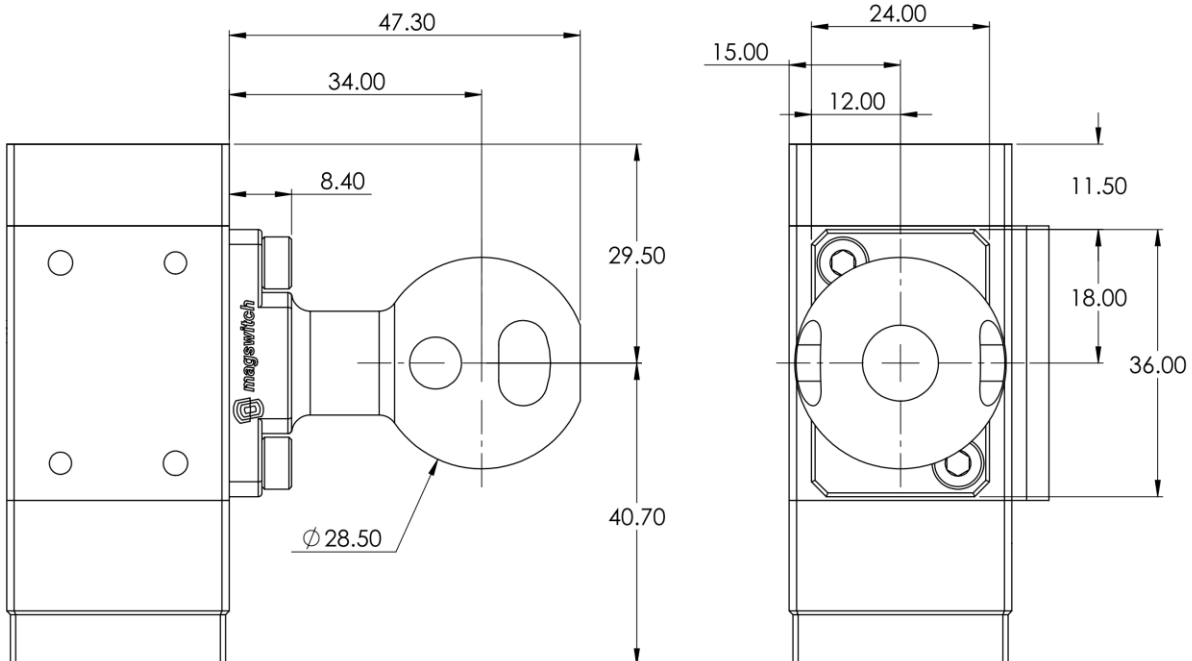
(2x) M4 x 8mm long Socket Head Cap Screws

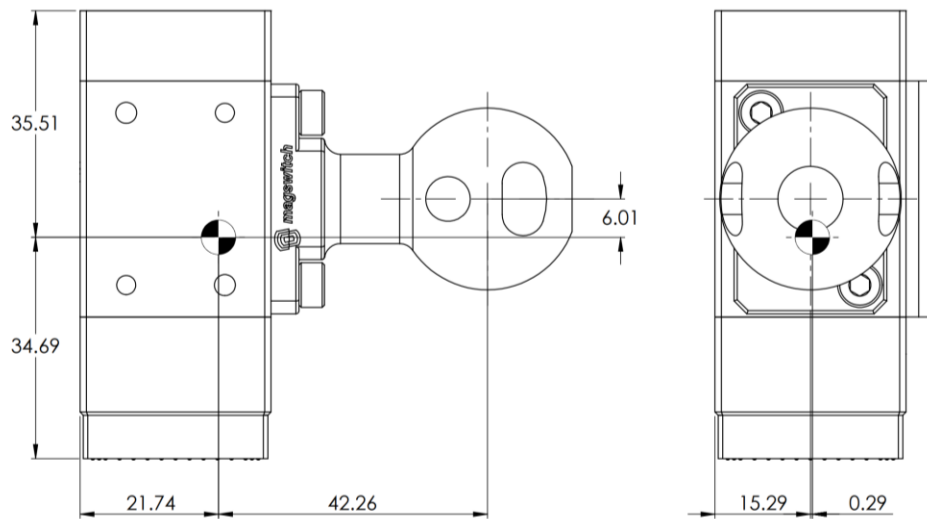
#### Compatible Tools Available (sold separately):

Magswitch D5	81401540
Magswitch D12	81401541
Magswitch D5 with Sensor Kit (sensor installed)	88001581
Magswitch D12 with Sensor Kit (sensor installed)	88001584

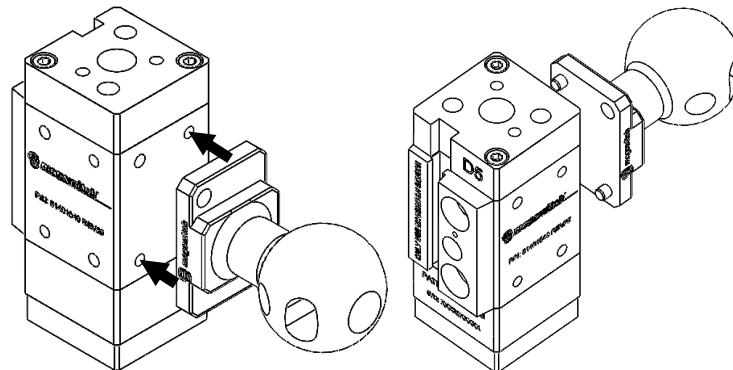


D5/D12 tool not included (sold separately)

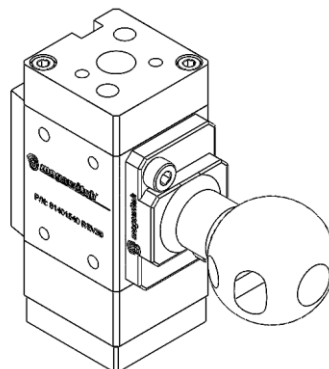


**Center of Gravity (COG) (Ball Mount Mounted on the Tool)**

**Ball Mount Kit Installation**

- 28.5mm Ball Mount Kit 88001562 is a standard mounting kit and compatible with D5 and D12.
- Two Dowel Pins are pre-installed in the Ball Mount.
- Slide in the Dowel Pins into the dowel holes on one of the three sides of actuator with mounting holes.



- Apply Loctite 222 on the threads of two M4 fasteners that comes with the Ball Mount Kit.
- Thread 2x M4 fasteners through the Ball Mount into the thread holes on the actuator. Torque both fasteners to 1Nm.



- The installation of D5 and D12 Ball Mount Kit is complete.