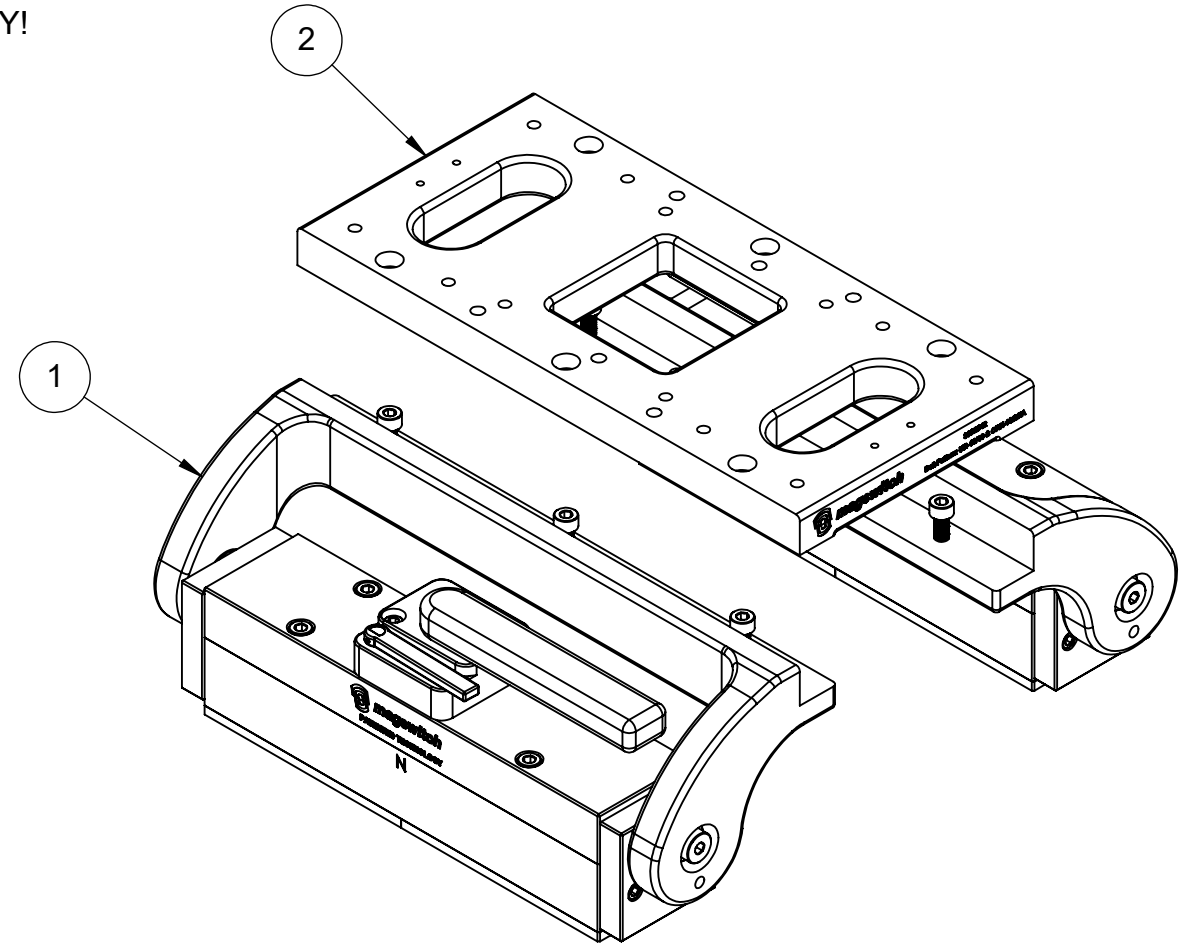
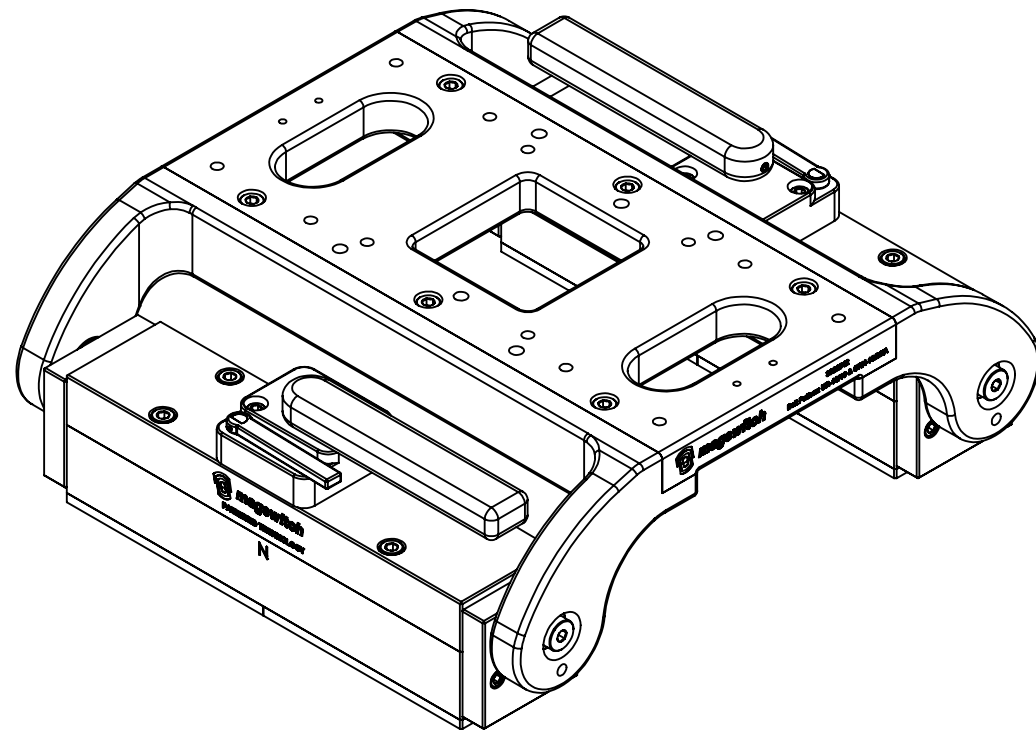


ITEM NO.	PART NUMBER	DESCRIPTION	QTY.
1	88001778	KIT, 50X5 PIVOT DRILL ROBO, MODULAR, SINGLE	2
2	3002542	PLATE, UNIVERSAL ROBOT 10/16E, CRX-10/20iA	1

REVISIONS				
REV.	DESCRIPTION	DRAWN	ECR	RELEASE DATE
1	INITIAL RELEASE	MAD	N/A	9/10/24

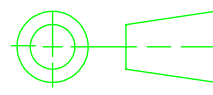
DRAWING FOR ILLUSTRATION AND CUSTOMER ASSEMBLY REFERENCE ONLY!
MTC TO SUPPLY 88001778 (2) AND 3002542 (1) AS SEPARATE ITEMS.



THIS DOCUMENT, AND THE INFORMATION IT CONTAINS, INCLUDING THE PRINCIPLES OF DESIGN, IS THE EXCLUSIVE PROPERTY OF MAGSWITCH TECHNOLOGY WORLDWIDE HOLDING LLC AND IS CONFIDENTIAL. ACCORDINGLY, THIS INFORMATION IS SUBMITTED TO YOU WITH THE AGREEMENT THAT IT IS NOT TO BE REPRODUCED, COPIED, OR LOANED IN PART OR IN WHOLE, NOR IS THE INFORMATION TO BE RELAYED TO ANY OTHER INDIVIDUAL OR COMPANY EXCEPT AS MTH FIRST AUTHORIZES IN WRITING. ACCEPTANCE OF THIS DOCUMENT CONSTITUTES AGREEMENT TO THESE RESTRICTIONS.

INTERPRET DRAWING PER:
ISO 2768-M


DIMENSIONS ARE IN MILLIMETERS/GRAMS



THIRD ANGLE PROJECTION

DO NOT SCALE

DRAWN	DATE
MAD	9/10/2024
DESIGN	DATE
MAD	6/11/2024
STD. CHECK	DATE
F/F CHECK	DATE
MCB	7/16/2024
APPROVED	DATE
MCB	9/10/2024

 1000 S. McCASLIN BLVD, STE 301
SUPERIOR, COLORADO 80027
303-468-0662 / MAGSWITCH.COM

TITLE: ASSEMBLY, 1 PLATE AND 2 WINGS, UNIVERSAL ROBOT 10/16E, CRX-10/20iA

SIZE	OVERALL DIMS	DWG. NO.	REV
B	143x376x396	88001856	1

SCALE 1:4 WEIGHT: 30224.55 SHEET 1 OF 1