



Magswitch Technology, Inc.  
 8774 Yates Dr. Suite 140  
 Westminster, CO 80031  
 Magswitch.com.au  
 303-468-0662

# Magswitch Extenda-Lift 600

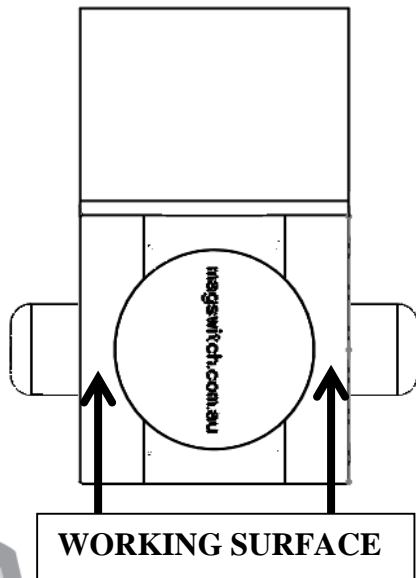
## P/N: 8100025

With the Magswitch Magnetic Extenda-Lift, you can pick up and move steel without bending over and using your hands; offering convenience and safety advantages. You can pick up plate, pipe, or steel scrap off the floor with ease. Also works great for picking up hot, sharp or dirty steel without touching it. Extenda-Lift 600 has 600 lobs (272 kg) of hold force. Extenda-Lift 1000 has 1000 lbs (454 kg) of hold force. Ideal for cities and utilities. Valve box and small lid removal.



**WARNING!**  
**Do Not Operate Unless In**  
**Contact With Ferrous Target**

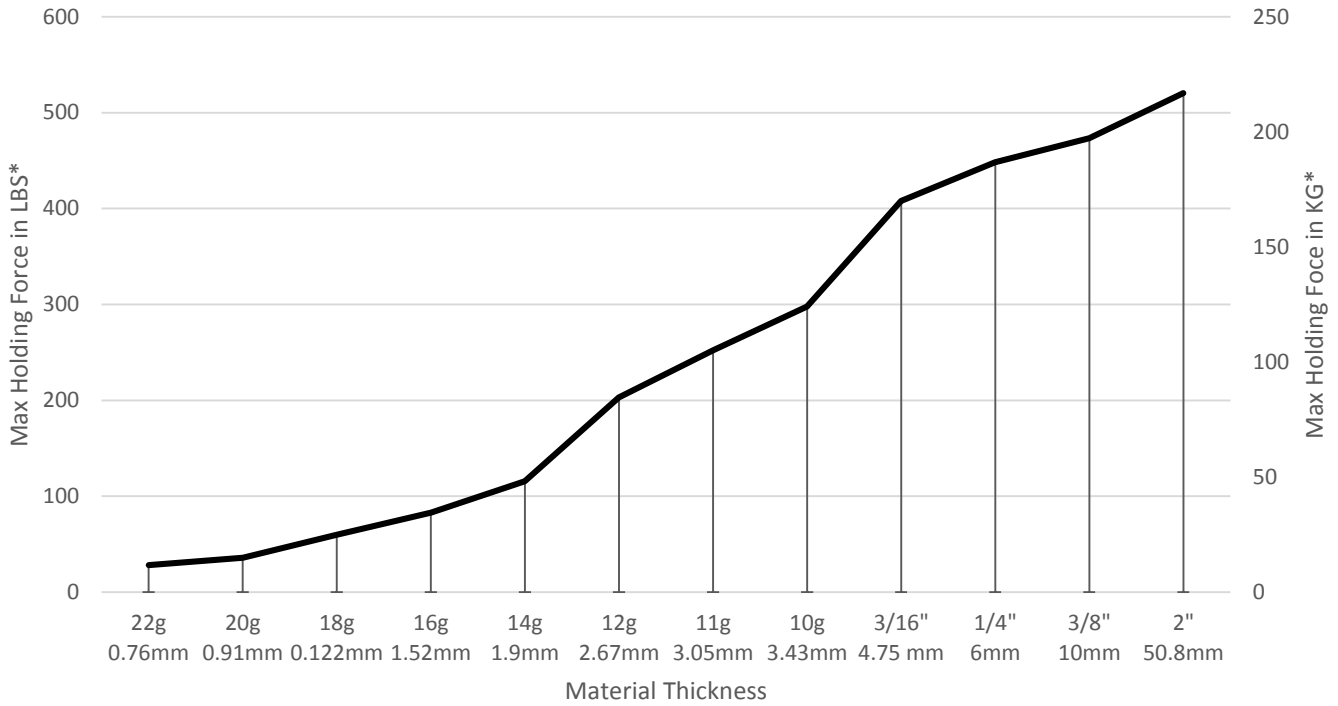
SPECIFICATIONS	
<b>P/N: 8100025 - MAGSWITCH Extenda-Lift 600</b>	
Max Breakaway*	600 lbs/272 kg
Full Saturation Thickness	2" / 50.8 mm
2:1 Shear Working Load*	45 lbs / 20.5 kg
Net Weight	5.3 lbs/2.4 kg
Overall Height	724 mm
Magnetic Pole Footprint	116.8 mm x 66 mm



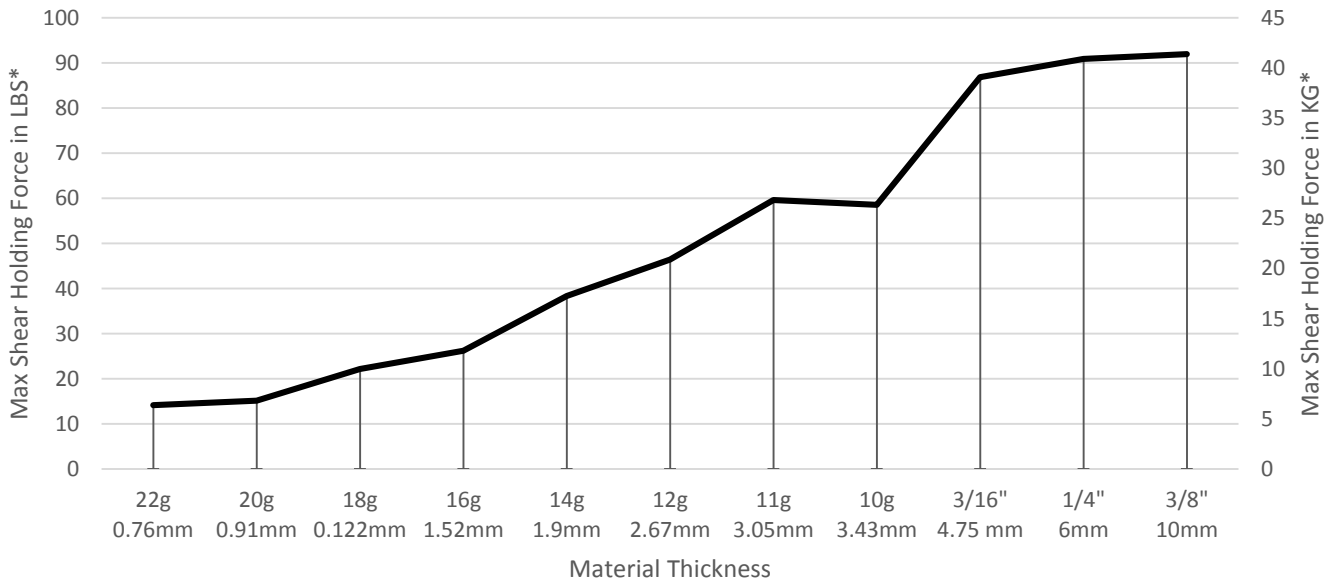
Part Number 110692  
 Revision Date: June 26, 2012

\* Max Breakaway determined in laboratory environment on 2" thick SAE1018 Steel with surface roughness 63 micro inches. Many factors contribute to the actual breakaway force in each application. Always test the magswitch in each application before deployment. Refer to the magswitch information booklet for more information.

### Magswitch Extenda-Lift 600 Breakaway Data vs. Thickness



### Magswitch Extenda-Lift 600 Shear Data vs. Thickness

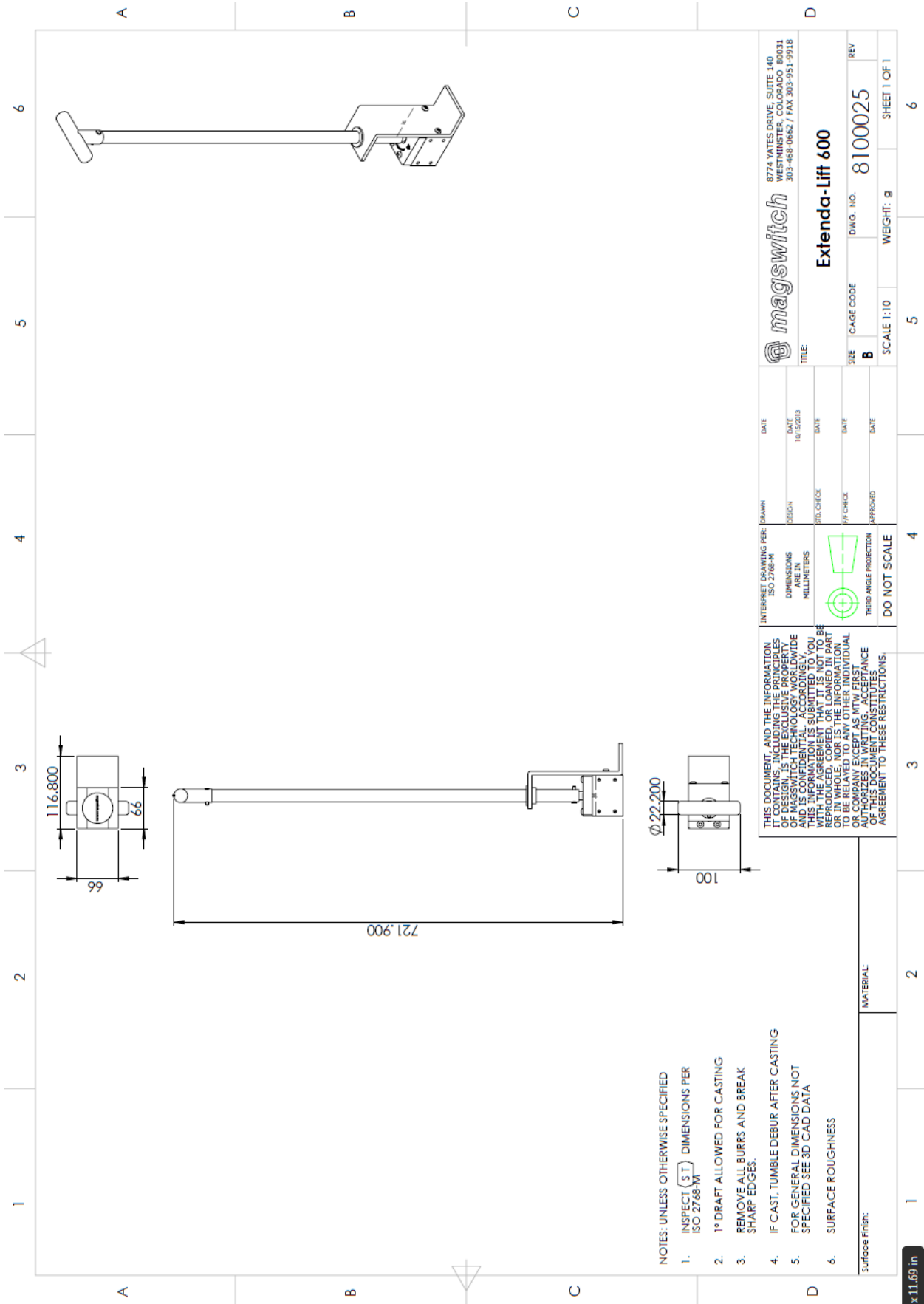


Part Number 110692  
Revision Date: June 26, 2012

\* Max Breakaway determined in laboratory environment on 2" thick SAE1018 Steel with surface roughness 63 micro inches. Many factors contribute to the actual breakaway force in each application. Always test the magswitch in each application before deployment. Refer to the magswitch information booklet for more information.



Part Number 110692  
 Revision Date: June 26, 2012



NOTES: UNLESS OTHERWISE SPECIFIED

1. INSPECT (ST) DIMENSIONS PER ISO 2768-MT
2. 1° DRAFT ALLOWED FOR CASTING
3. REMOVE ALL BURRS AND BREAK SHARP EDGES.
4. IF CAST, TUMBLE DEBUR AFTER CASTING
5. FOR GENERAL DIMENSIONS NOT SPECIFIED SEE 3D CAD DATA
6. SURFACE ROUGHNESS

Surface Finish:

MATERIAL:

THIS DOCUMENT, AND THE INFORMATION IT CONTAINS, INCLUDING THE PRINCIPLES OF MAGSWITCH TECHNOLOGY, IS CONFIDENTIAL AND IS CONFIDENTIAL WORLDWIDE AND IS CONFIDENTIAL ACCORDINGLY. THIS INFORMATION IS SUBMITTED TO YOU BY OR IN WHOLE, NOR IS THE INFORMATION TO BE RELAYED TO ANY OTHER INDIVIDUAL OR ENTITY WITHOUT THE EXPRESS WRITTEN AUTHORIZATION IN WRITING. ACCEPTANCE OF THIS DOCUMENT CONSTITUTES AGREEMENT TO THESE RESTRICTIONS.

INTERPRET DRAWING PER: DRAWN  
 ISO 2768-PT  
 DIMENSIONS  
 MILLIMETERS  
  
 THIRD ANGLE PROJECTION  
 DO NOT SCALE

INTERPRET DRAWING PER:	DATE
DRAWN	DATE
DESIGN	10/15/2013
STD. CHECK	DATE
APP. CHECK	DATE
APPROVED	DATE

**magswitch**  
 8774 YATES DRIVE, SUITE 140  
 WESTMINSTER, COLORADO 80031  
 303-468-0662 / FAX 303-951-9918

**Extenda-Lift 600**

SIZE: CAGE CODE: B  
 DWG. NO.: 8100025  
 REV: 1  
 SCALE: 1:10  
 WEIGHT: g  
 SHEET 1 OF 1

x11.69 in