

1

2

3

4

5

6

A

A

B

B

C

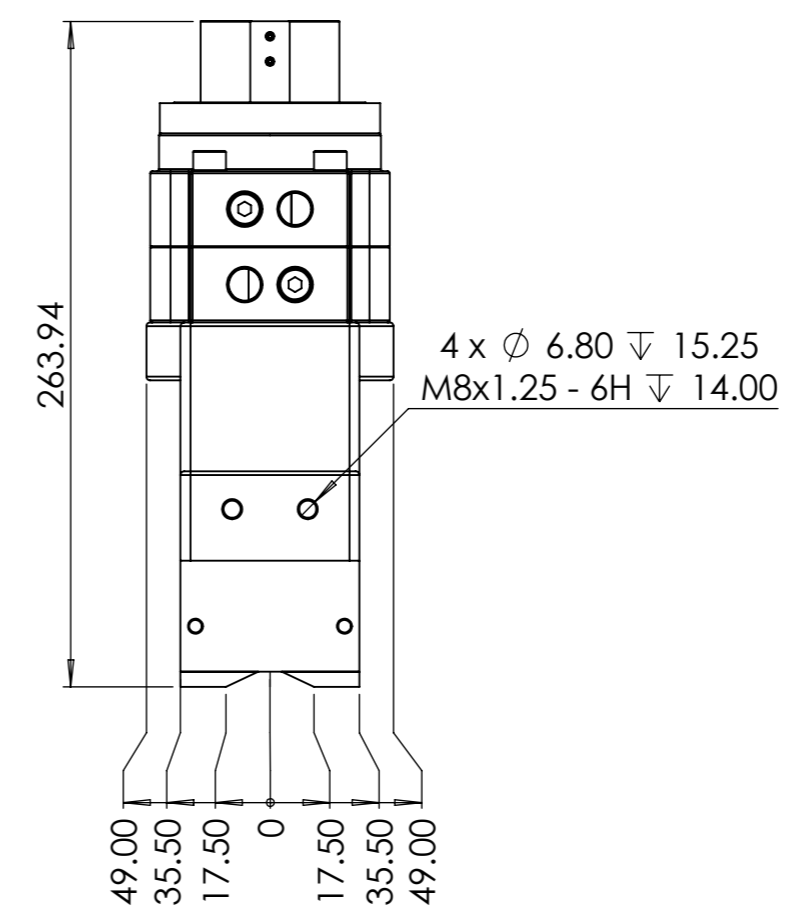
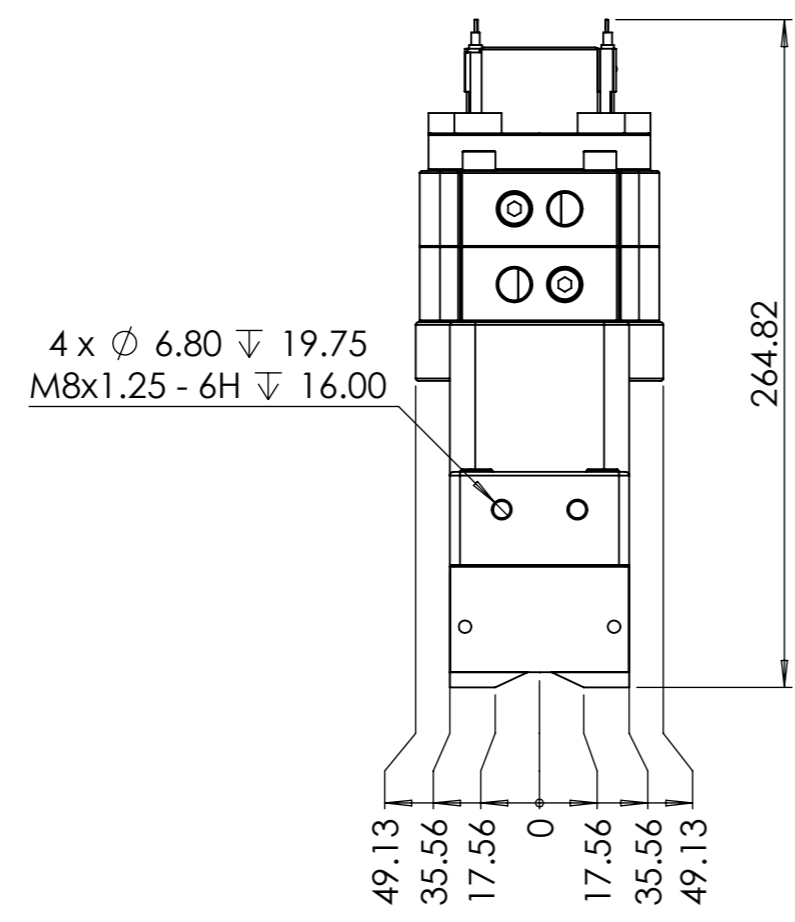
C

D

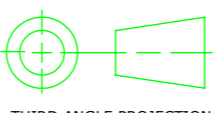
D


PLAY50X4 (OLD) - 8140404

PLAY50X4 2.0 - 81401488



THIS DOCUMENT, AND THE INFORMATION IT CONTAINS, INCLUDING THE PRINCIPLES OF DESIGN, IS THE EXCLUSIVE PROPERTY OF MAGSWITCH TECHNOLOGY WORLDWIDE AND IS CONFIDENTIAL. ACCORDINGLY, THIS INFORMATION IS SUBMITTED TO YOU WITH THE AGREEMENT THAT IT IS NOT TO BE REPRODUCED, COPIED, OR LOANED IN PART OR IN WHOLE, NOR IS THE INFORMATION TO BE RELAYED TO ANY OTHER INDIVIDUAL OR COMPANY EXCEPT AS MTW FIRST AUTHORIZES IN WRITING. ACCEPTANCE OF THIS DOCUMENT CONSTITUTES AGREEMENT TO THESE RESTRICTIONS.

INTERPRET DRAWING PER: ISO 2768-M	DRAWN	DATE
DIMENSIONS ARE IN MILLIMETERS	DESIGN	DATE
 THIRD ANGLE PROJECTION DO NOT SCALE	STD. CHECK	DATE
	F/F CHECK	DATE
	APPROVED	DATE

 1355 HORIZON AVE
LAFAYETTE, COLORADO 80026
303-468-0662 / FAX 303-951-9918

TITLE: **PLAY50X4 VS PLAY50X4 2.0**

SIZE B	CAGE CODE	DWG. NO. 1101675	REV 01
SCALE 1:3		WEIGHT: g	SHEET 1 OF 2

1

2

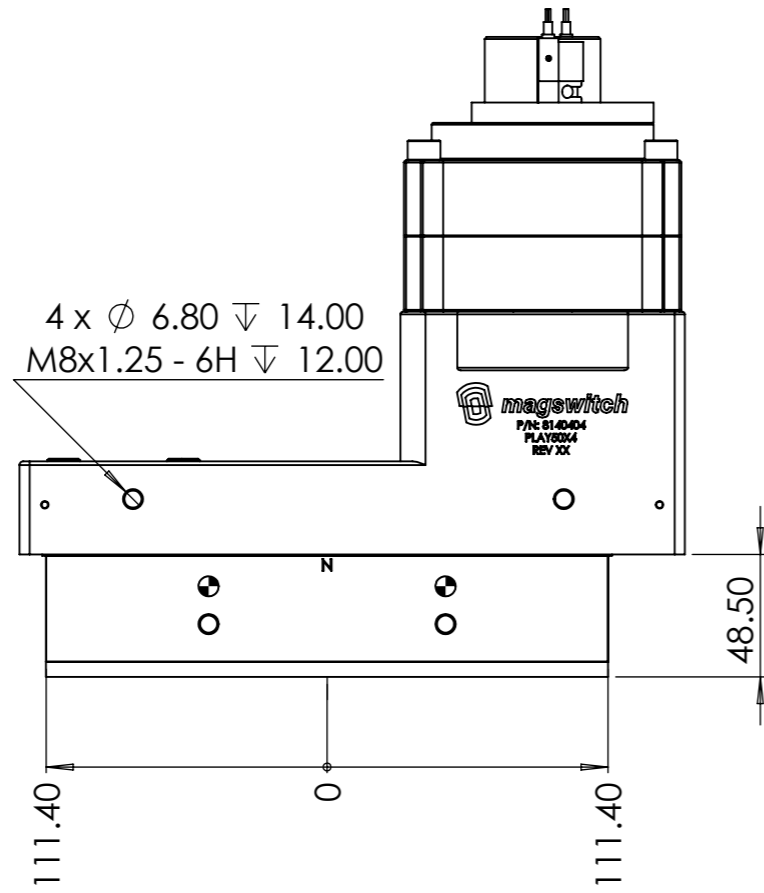
3

4

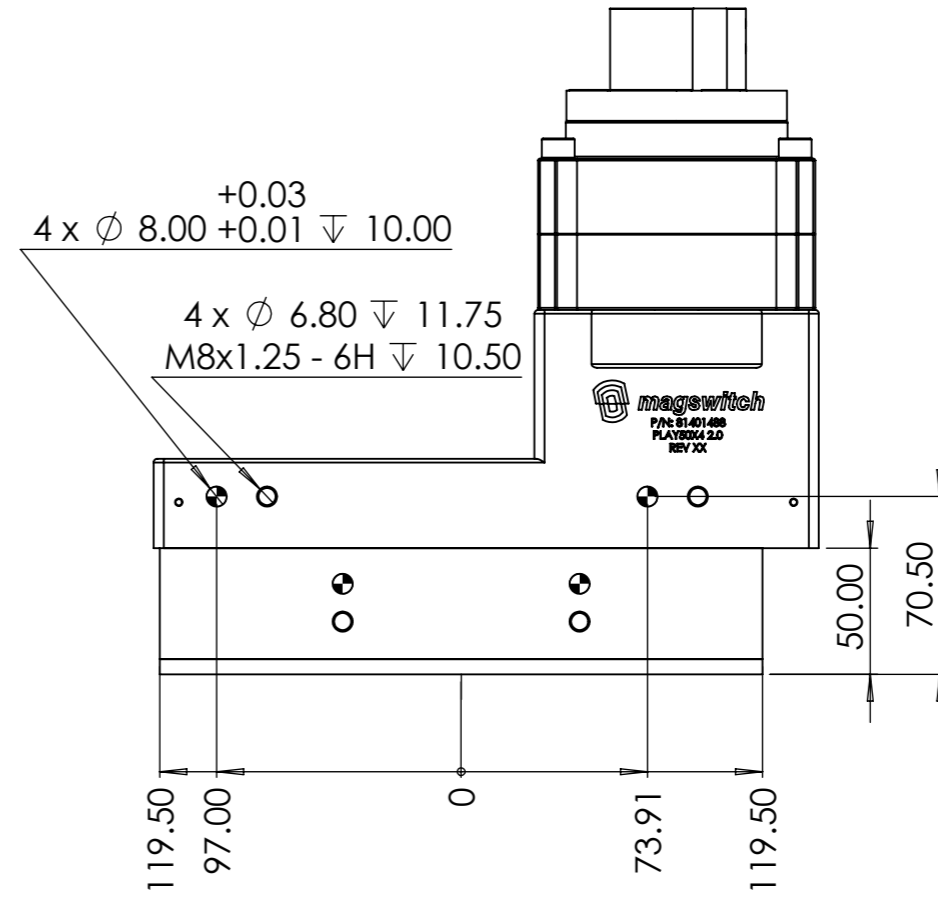
5

6

PLAY50X4 (Old) - 8140404



PLAY50X4 (New) - 81401488



THIS DOCUMENT, AND THE INFORMATION IT CONTAINS, INCLUDING THE PRINCIPLES OF DESIGN, IS THE EXCLUSIVE PROPERTY OF MAGSWITCH TECHNOLOGY WORLDWIDE AND IS CONFIDENTIAL. ACCORDINGLY, THIS INFORMATION IS SUBMITTED TO YOU WITH THE AGREEMENT THAT IT IS NOT TO BE REPRODUCED, COPIED, OR LOANED IN PART OR IN WHOLE, NOR IS THE INFORMATION TO BE RELAYED TO ANY OTHER INDIVIDUAL OR COMPANY EXCEPT AS MTW FIRST AUTHORIZES IN WRITING. ACCEPTANCE OF THIS DOCUMENT CONSTITUTES AGREEMENT TO THESE RESTRICTIONS.

INTERPRET DRAWING PER: ISO 2768-M	DRAWN	DATE
DIMENSIONS ARE IN MILLIMETERS	DESIGN	DATE
 THIRD ANGLE PROJECTION	STD. CHECK	DATE
	F/F CHECK	DATE
	APPROVED	DATE
DO NOT SCALE		

1355 HORIZON AVE
LAFAYETTE, COLORADO 80026
303-468-0662 / FAX 303-951-9918

TITLE:

SIZE	CAGE CODE	DWG. NO.	REV
B			

SCALE 1:3 WEIGHT: g SHEET 2 OF 2